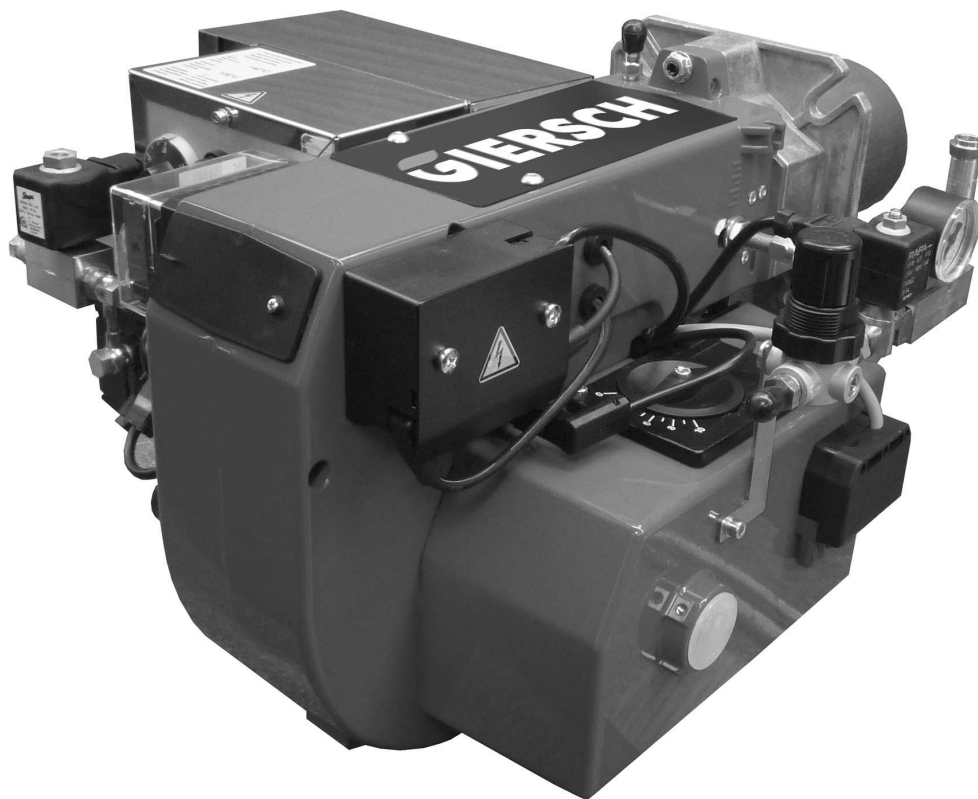


Universal Oil Burner GU55

Oil

January 2024 edition

In the interests of continuous product improvement, technical specifications are subject to change without prior notice.



Contents

1.	General information	3
2.	Checking scope of supply and electrical ratings	3
3.	Operating instructions	3
4.	Instruction	3
5.	Maintenance and customer service	3
6.	Technical specifications	4
7.	Functional description	4
8.	Air/oil flow schematic.....	4
9.	Installing flange and burner.....	5
10.	Connecting to power supply.....	5
11.	Compressed air connection	5
12.	Oil pump.....	6
13.	Installing the oil line.....	6
14.	Setting the ignition electrodes.....	6
15.	Control unit	7
16.	Table of settings	9
17.	Settings for primary airflow	10
18.	Combustion air flow rate	10
19.	Flue connection.....	11
20.	Flue gas thermometer.....	11
21.	Maintenance	11
22.	Wiring diagram.....	12
23.	Possible errors	13
24.	Exploded view drawing / parts list.....	14
25.	Burner dimensions / boiler connecting dimensions.....	18
26.	Operating range	18

1. General information

An oil-fired system must be installed in compliance with a number of regulations and requirements. It is therefore the duty of the installer to be familiar with all applicable regulations and requirements. Installation, start-up and maintenance must be performed with utmost care.

The burner must not be operated in rooms with high levels of air humidity (laundry rooms), dust or corrosive vapours.



The burner series is certified according to EN 267 for fuel and colza oil.

Operation with other combustibles, especially highly combustible liquids as thinner, petrol, alcohol and corresponding composites, as well as brake fluid and antifreeze mixture, is not allowed.

Composites made up of high- and low viscosity liquids could separate .

Danger of autoignition !

Danger of injury !

Danger of material damage !

The use of flammable liquids with solid-sludge- or water content causes malfunction and breakdowns. The design and degree of protection of the burner make it suitable for operation in enclosed rooms.

2. Checking scope of supply and electrical ratings

Before installing the GIERSCH universal oil burner please check the items supplied for completeness.

Scope of supply:

burner, mounting unit, separate operating instructions, technical information, flange seal.



Near wear-free compressed air atomising nozzles are pre-fitted at the factory.

3. Operating instructions

This technical information should be displayed in a visible position in the boiler room as operating instructions. It is essential to write the address of the nearest customer service centre in the operating instructions.



Caution !

Improper installation, adjustment, modification, operation or maintenance may result in physical injury or damage to property/equipment. Read the instructions prior to use.

This product must be installed in accordance with the applicable regulations (e.g. DIN-VDE).

4. Instruction of operating personnel

Faults are often caused by operator error. The operating personnel must be properly instructed in how the burner works. In the event of recurring faults, Customer Service should be notified.

5. Maintenance and customer service

The complete system should be checked once a year for proper functioning and leak tightness by an authorised representative of the manufacturer or by another expert. We accept no liability for consequential damage in cases of incorrect installation or repair, the fitting of non-genuine parts or where the equipment has been used for purposes for which it was not intended.



Caution!

For maintenance and service work, the burner must be switched off!

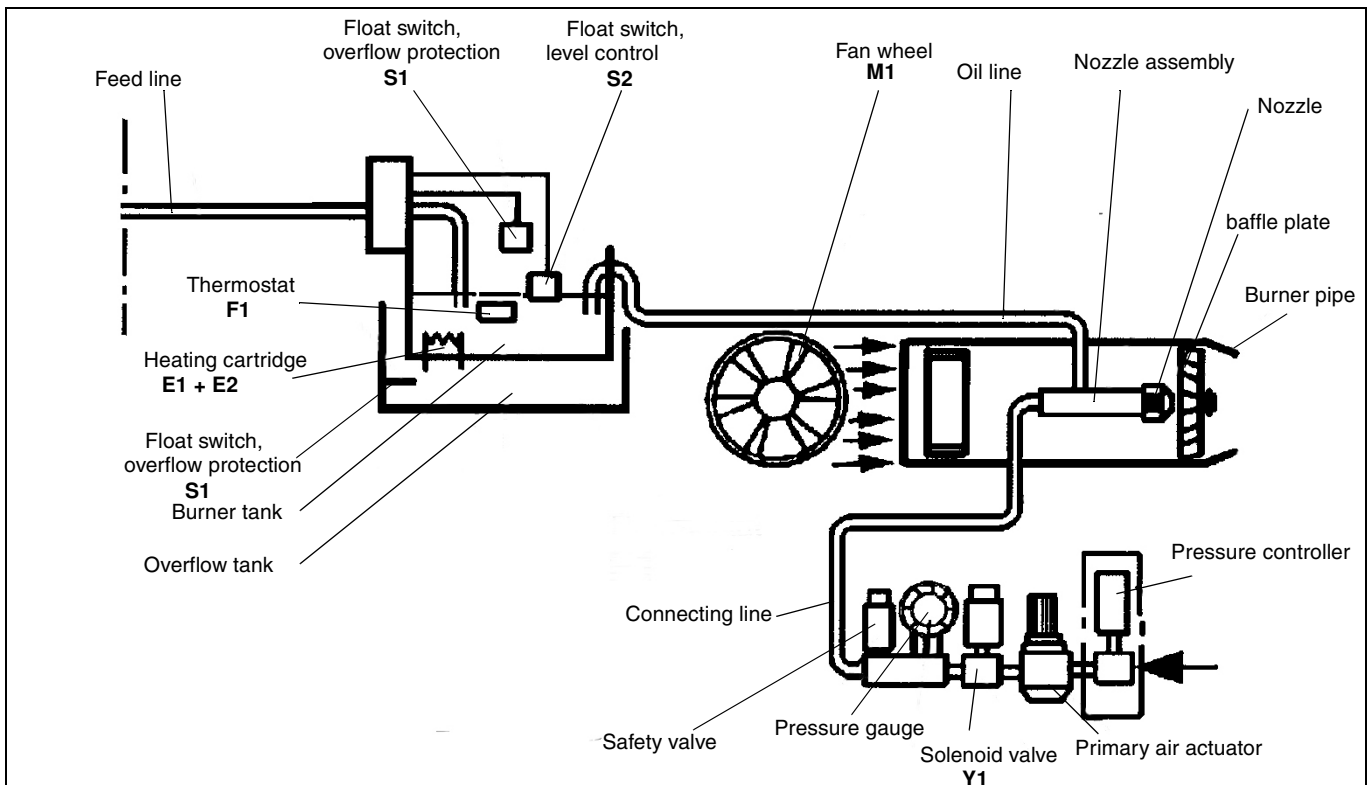
6. Technical specifications

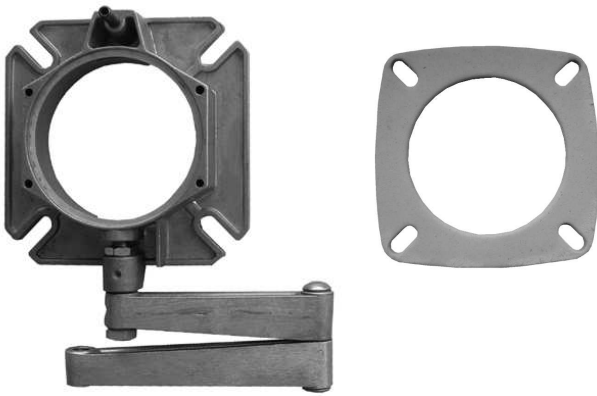
		Burner type
Technical specifications		GU55
Output, fuel oil	kW	50 - 75
Oil throughput fuel oil	kg/h	4,2 - 6,3
Output, rapeseed oil	kW	40 - 52
Oil throughput rapeseed oil	kg/h	4,0 - 5,2
Compressor output	m ³ /h	6
Primary air connection	bar	0.4 - 0.8
Motor output	W	180
Heating element	W	1100
Voltage		1/N/PE ~50 Hz 220 - 240 V
Weight	kg	23
Emission class fuel oil		1
Emission class rapeseed oil		1
NO _x limit fuel oil		< 250 mg/kWh
NO _x limit rapeseed oil		< 250 mg/kWh

7. Functional description

The fuel is pumped out of the supply tank and into the burner tank. A float switch controls the level inside the burner tank. Another float switch (overflow protection) serves as a limiter, which switches to fault if the tank is overfilled. A thermostat regulates the oil temperature in the burner tank and starts the burner when the set temperature is reached. Thereafter, the automatic oil burner control system controls and monitors the operation of the burner. Fuel is aspirated and finely atomised by a special nozzle using the compressed air flowing through the burner, which is used as primary air for the combustion process. The burner blower supplies the secondary air which is added to the atomised spray at the baffle plate. This ensures full combustion and operational reliability. At the oil temperature in excess of 150° C, the safety switch automatically de-energises the burner.

8. Air/oil flow schematic





9. Install flange and burner

Attach the burner flange and the seal to the heat generator.

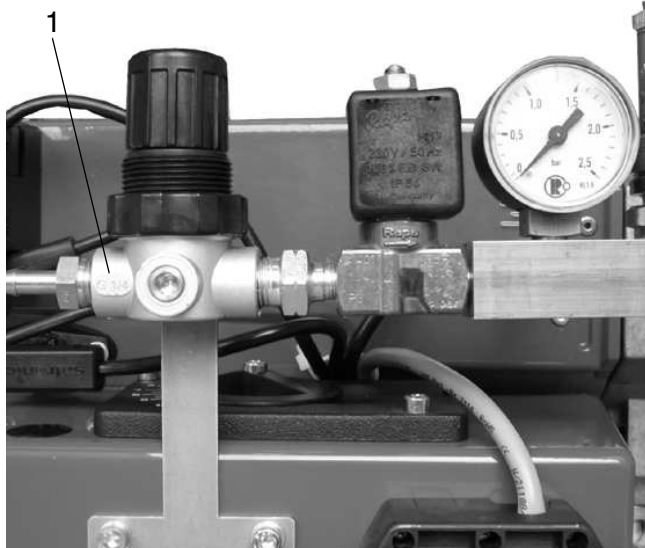
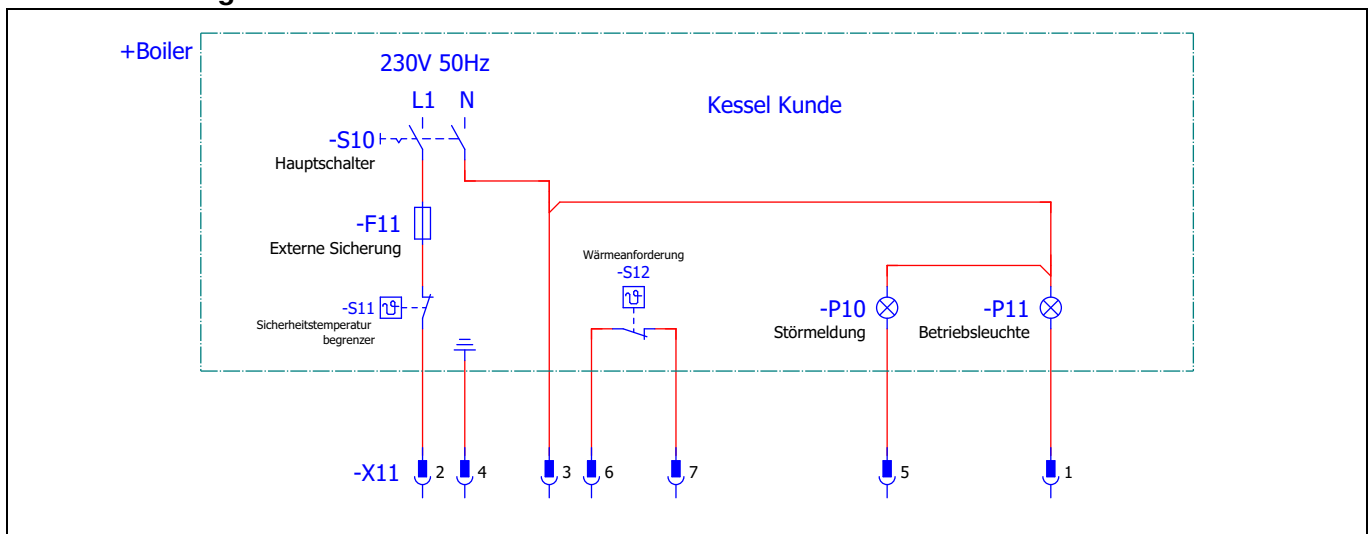
10. Connect to power supply

- Connect the burner to the power supply using the supplied connector unit as indicated in the wiring diagram.
- HEED LOCAL REGULATIONS !
- Use flexible wiring.

Overcurrent protection configuration

The overcurrent protection devices must be rated for the electrical current range indicated in the technical specifications and to provide protection against electrical shock according to DIN IEC 60364-4-41 (VDE 0100-410).

Connection diagram



11. Compressed air connection

Connect a compressed air line to the pressure regulator (1).

12. Oil pump

The oil pumps serve as delivery units, pumping oil into the burner tank. The atomisation of the oil is not dependent on the oil pressure.

Suntec oil pump:



- ① = feed
- ② = return
- ③ = pressure pipe connection
- ④ = pressure measuring connection
- ⑤ = vacuum measuring connection
- ⑥ = pressure adjustment

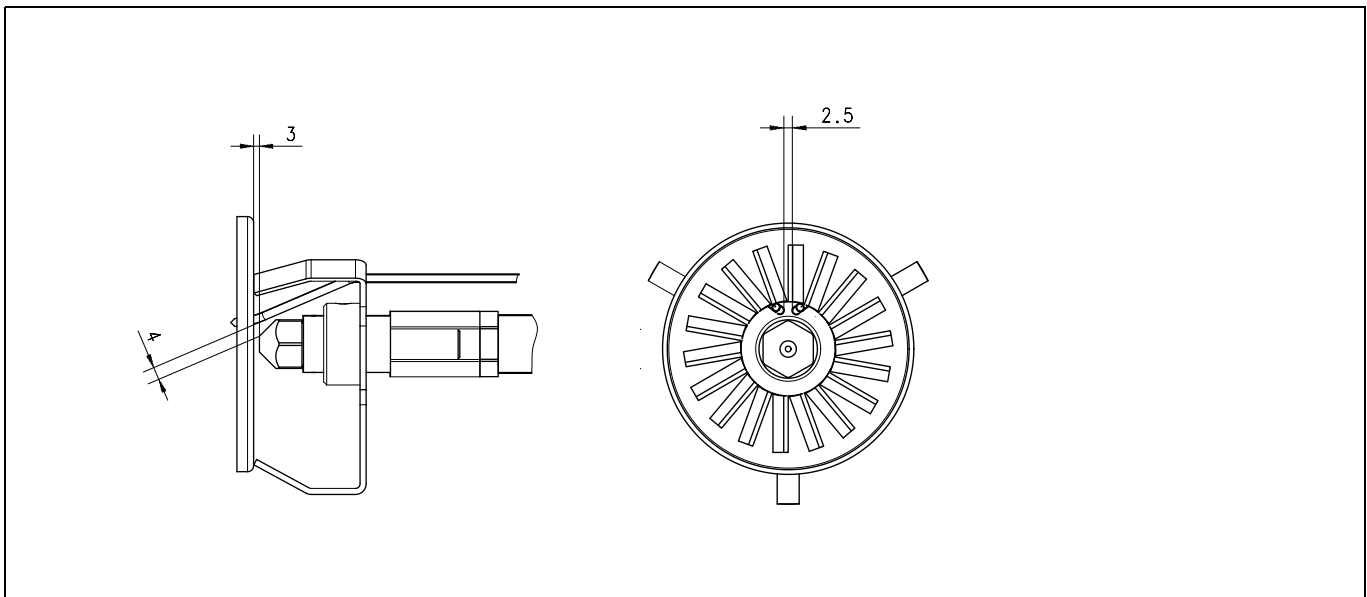
13. Installing the oil line

Install oil lines, filters and floating suction unit from the supply pump to the supply tank.

For installation in the open air or on outside walls, the lines must be specially insulated or fitted with additional pipe heaters, as otherwise the water contained in the oil will freeze causing the oil to become highly viscous.

14. Setting the ignition electrodes

The ignition electrodes are preset. The specified dimensions (Fig.) are for checking purposes.



15. Function testing the control unit



Testing the control unit for proper functioning
Danger of fatal injury from electric shocks!



Disconnect electrical cable from power supply before carrying out any work on live parts! Troubleshooting may only be carried out by authorised and trained personnel! Unlocking may only be carried out by an authorised specialist.

When commissioning the plant or when doing maintenance work, make the following safety checks:

Burner startup with flame detector darkened:

- Lockout at the end of «TSA»

Burner startup with flame detector exposed to extraneous light:

- Lockout after no more than 40 seconds.

Burner operation with simulated loss of flame:

- For that purpose, darken the flame detector during operation and maintain that state

Repetition followed by lockout at the end of «TSA»

Safety and switching functions

If a flame failure occurs during operation, the fuel feed shuts off immediately and the system tries a restart, with pre-aeration and retarded ignition. If no flame results, the control box shows a fault after the safety time. The system restarts automatically after an interruption in the power supply. The control box shows a fault if the photo-electric cell detects a light source during the pre-aeration time, after the safety time.

Display during commissioning

Color code table for multi-color signal lamp		
Status	Color code	Color
Waiting time (tw), other Waiting states	○.....	OFF
Oil preheater is heating	●.....	Yellow
Ignition phase, ignition controlled	●○●○●○●○●○●○	Yellow flashing
Operation, flame OK	□.....	Green
Operation, flame poor	○□○□○□○□○□	Green flashing
External light on burner start	□▲□▲□▲□▲□▲	Green-red
Undervoltage	●▲●▲●▲●▲●▲	Yellow-red
Fault, alarm	▲.....	Red
Fault code output, see fault code table	○▲○▲○▲○▲○▲○	Red flashing
Interface diagnostics	▲▲▲▲▲▲▲▲▲▲▲▲	Red flickering light

Key:

- Permanent
- OFF
- ▲ Red
- Yellow
- Green

Function testing the control unit

Diagnostics of the cause of fault

After lockout, the red fault signal lamp remains steady on. In that condition, the visual diagnostics of the cause of fault according to the error code table can be activated by pressing the lockout reset button for more than 3 seconds. Pressing the reset button again for at least 3 seconds, the interface diagnostics will be activated. Interface diagnostics works only if the AGK20... lockout reset button extension is not fitted. If, by accident, interface diagnostics has been activated, in which case the slightly red light of the signal lamp flickers, it can be deactivated by pressing again the lockout reset button for at least 3 seconds. The instant of switching over is indicated by a yellow light pulse.

Error code table

Red blink code of signal lamp (LED)	„AL“ at term. 10	Possible cause
2 x blinks	ON	No establishment of flame at the end of «TSA» - Faulty or soiled fuel valves - Faulty or soiled flame detector - Poor adjustment of burner, no fuel - Faulty ignition equipment
3 x blinks	ON	Free
4 x blinks	ON	Extraneous light on burner startup
5 x blinks	ON	Free
6 x blinks	ON	Free
7 x blinks	ON	Too many losses of flame during operation (limitation of the number of repetitions) - Faulty or soiled fuel valves - Faulty or soiled flame detector - Poor adjustment of burner
8 x blinks	ON	Time supervision oil preheater
9 x blinks	ON	Free
10 x blinks	OFF	Wiring fault or internal fault, output contacts, other faults

During the time the cause of fault is diagnosed, the control outputs are deactivated burner remains shut down.

The diagnostics of the cause of fault is quit and the burner switched on again by resetting the burner control. Press the lockout reset button for about 1 second (<3 seconds).

Flame monitor with Flame detector QRB



The flame detector is used for monitoring of burning oil flames and for ignition spark.

Trouble-free burner operation is ensured only when the intensity of UV radiation at the detector's location is high enough for the detector's UV cell to ignite during each half wave.

Operability check:

A safety check of the flame failure system must be carried out when the appliance is first commissioned and after any inspections or long periods of inactivity.

Start-up test with flame detector covered:

After expiry of the safety period, the burner should perform a safety cut-out.

Start-up test with flame detector illuminated:

After approx. 20 s of pre-aeration the burner must go over to fault.

Standard. Startup; if burner in operation, darken the flame detector:

Attempt startup again, at the end of the safety time the burner must go over to fault.

16. Adjustment table

The values given in the table are only setting values for start-up. The system settings required in each case must be redefined if values such as boiler output, calorific value and altitude deviate. **Adjustment is required in any case (due to the system design).**

- For initial start-up, fill the burner tank up to the oil mark by hand.

**Caution !**

If the oil level is too high, the float switch will switch off the burner.
If the oil level is too low, the heating cartridge will become encrusted or damaged.

Adjustment table for rapeseed oil

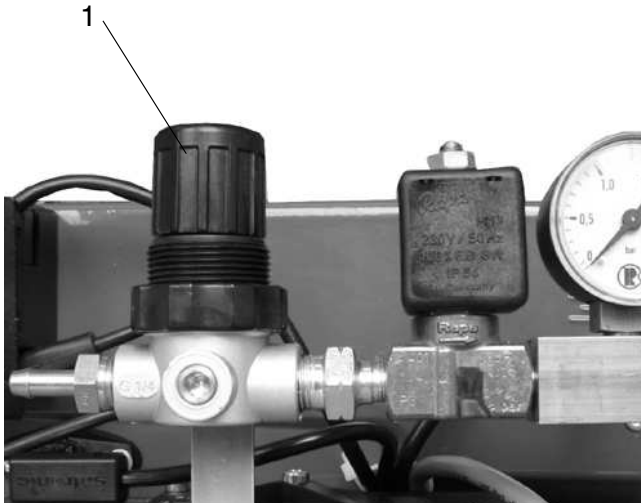
Burner type	GU55				
Output in kW	40	44	45	48	50
Oil throughput in kg/h	4.0	4.4	4.4	4.78	4.95
Primary air in bar	0.8	1.0	1.2	1.4	1.5
Secondary air (scale on air damper)	1.7	2.0	2.4	2.8	3.0
Thermostat setting in °C	140				

Adjustment table for fuel oil

Burner type	GU55					
Output in kW	50	54	61	65	67	73
Oil throughput in kg/h	4.2	4.5	5.1	5.5	5.6	6.1
Primary air in bar	0.5	0.7	0.9	1.1	1.2	1.5
Secondary air (scale on air damper)	1.8	2.1	3.0	3.3	3.8	4.0
Thermostat setting in °C	0° do not heat					

The thermostat on the burner tank must be set to between "min." for heating oil EL and 140°C for rapeseed oil, depending on the viscosity of the oil.

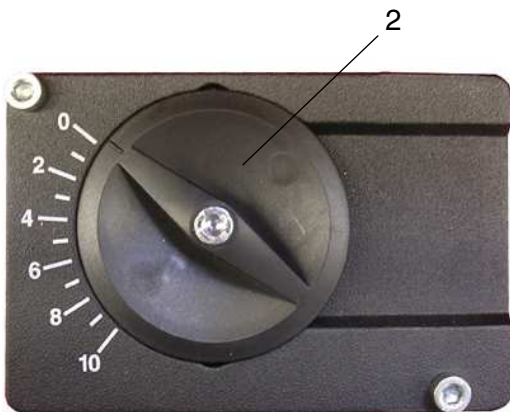
17. Settings for primary airflow



The primary airflow should be set using the pressure regulator (1) according to the required burner output. The information given in the diagram can be used as guide values.

Higher-viscosity fuels require higher air pressures.

18. Combustion air flow rate



Setting the combustion air flow rate (2).

Ideal values:

- Soot index according to Bacharach <1
- O₂ = 4 - 5%

The CO₂ values of a commercially available measuring instrument can only be used for processing the combustion process for heating oil EL.

Flue gas temperature according to the operating instructions of the heat generator.

19. Flue connection

The prerequisite for perfect operation of the furnace is a correctly dimensioned flue.

Dimensioning is effected in accordance with DIN 4705 in consideration of DIN 18160 and based on the boiler and burner outputs.

For operation on a sliding basis, provide flues as per DIN 18160 part, group 1. The flue gas mass flow of the total rated heat output must be factored into the calculation. The effective flue height is counted from burner level. Furthermore, we refer you to the statutory building regulations of the individual German federal states.

Select a flue design which minimises the danger of condensation or of a cold flue inner wall.



For exact adjustment and stabilisation of the flue draught we recommend the installation of a draught limiter.

Thus:

- any draught fluctuations are equalised
- moisture in the flue is largely excluded
- stoppage losses are reduced.

Connection pieces should be introduced into the flue with a gradient of 30° or 45° viewed in flow direction. It is best to provide flue gas pipes with thermal insulation.

20. Flue gas thermometer

For flue gas temperature monitoring the heating system should be equipped with a flue gas thermometer. The higher the flue gas temperature, the greater the flue gas loss.

Rising flue gas temperatures indicate increasing deposits that will reduce the degree of combustion efficiency. In the event of an increasing flue gas temperature have the heating installation cleaned and readjusted by a skilled person.

21. Maintenance

Depending on the quality of the oil used, we recommend the following maintenance intervals:

After more than 3 days downtime:

- drain off residual water and sludge through the water drain cock in the burner tank,

Monthly:

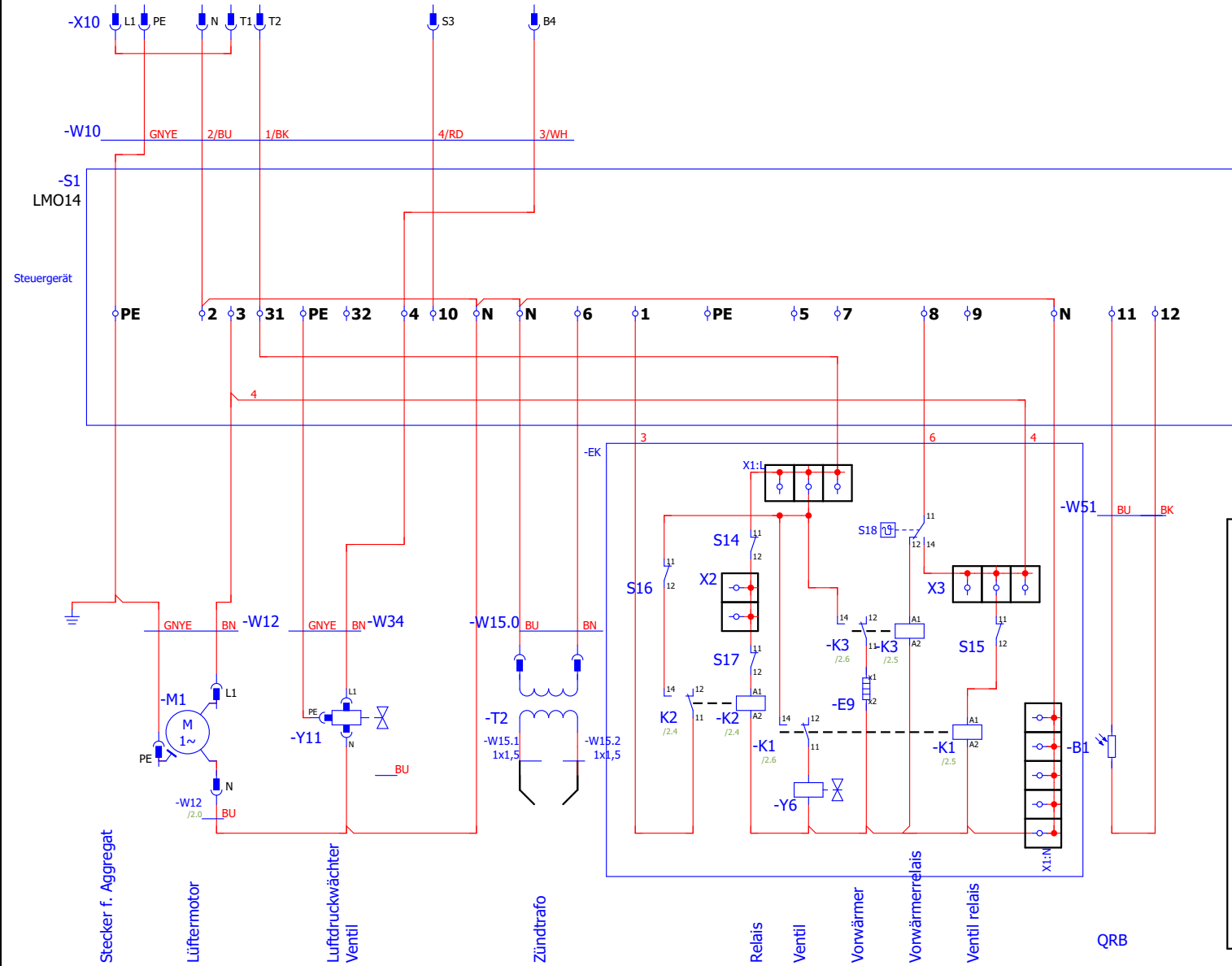
- Clean the filter in the supply tank or the unit tank and strainer on the floating suction unit
- Remove and clean the feed pump filter
- Remove sludge and residual water from the supply tank or unit tank
- The quantity can be determined by using water indication paste and a gauging rod
- Clean the photocell
- Clean the ignition electrode and baffle plate and blow out the nozzle with compressed air, check the spacing between the ignition electrodes (refer to checking dimensions for ignition electrodes)

Annually (before or after the heating period):

- Carry out monthly maintenance as described
- Clean the heating cartridges in the burner tank
- Clean the ignition electrodes and baffle plate, blow out the nozzle with compressed air and check the spacing between the ignition electrodes
- Clean the burner tank, supply tank and unit tank thoroughly.

22. Circuit diagram

SP_1-1066.1



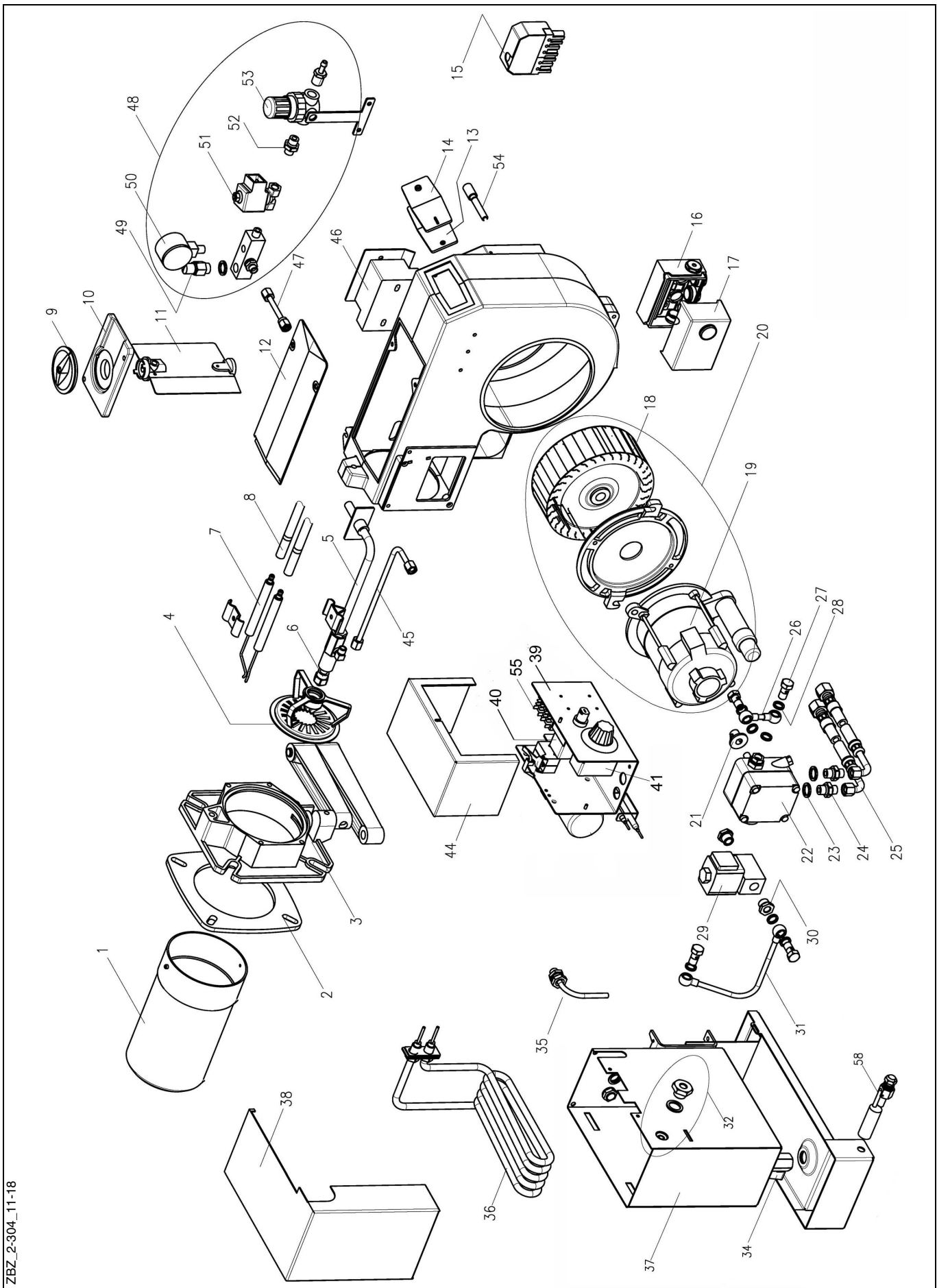
Aderfarben	
Braun	- BN
Blau	- BU
Grau	- GY
Schwarz	- BK
Rot	- RD
Weiss	- WH
Grünelb	- GNYE
Violett	- VT

Legende	
B1	Flammenüberwach.
E9	Vorwärmer
K1.....K10	Funktionrelais
M1	Lüftermotor
P10	Leuchtmelder Störung
P11	Leuchtmelder Betriebsbereit
S1	Steuerung
S10	Hauptschalter
S11	Sicherheitstemperatur begrenzer
S12	Termostat WA
S14	Überlauf Vorwärmer
S15	Schalter Niveau MV Pump
S16	Sicherheits Tem. Begrenzer
S17	Überlauf Wanne
S18	Termostat Vorwärmer
Y6	Ventil Pumpe
Y11	Ventil Luft

23. Troubleshooting

Observation	Cause	Remedy
Burner does not start up	<p>Oil not combustible due to sludge and / or water</p> <p>Oil tank empty Oil level in burner tank too high</p> <p>Filter dirty, oil or air lines leaky Faulty feed pump solenoid valve</p> <p>Nozzle dirty or faulty Feed pump blocked No current Motor faulty Thermostat faulty Photocell dirty or not correctly inserted</p> <p>Control unit faulty No ignition</p> <p>No compressed air</p> <p>Solenoid valve faulty Compressor or air line faulty</p>	<p>Open the water drain cock on the burner tank, drain off sludge and water or use a higher-grade heating oil Refill tank with oil</p> <p>Correct the oil level by draining off oil by means of the water cock (readjust the level control float switch, if necessary)</p> <p>Clean the filter, feed pump filter and lines Check the feed pump solenoid valve and replace if necessary</p> <p>Replace nozzle Strip the feed pump and clean the gear Switch on the heater switch</p> <p>Replace Replace</p> <p>Clean the photocell, replace it or connect it properly Replace</p> <p>Adjust the ignition electrode, replace the ignition transformer if necessary and check the ignition cable</p> <p>Connect and/or open the compressed air and set the pressure</p> <p>Replace Replace</p>
Burner starts very late	Heating cartridge and thermocouple in burner tank encrusted or faulty	Clean or replace the heating cartridge and thermocouple in the burner tank
Burner starts without pre-ventilating	Solenoid valve sticking in open position	Replace
No oil feed	Solenoid valve faulty	Replace
Flame is interrupted or extinguishes	<p>Oil not combustible due to sludge and / or water</p> <p>Oil supply used up Clogged nozzle Dirty feed pump filter Oil line to tank frozen Supply tank too far away from burner Filter or oil lines dirty Solenoid valve faulty Too much or not enough compressed air</p> <p>Safety temperature limiter is in the safety position because the heater has overheated Micro-switch in burner tank cuts out</p>	<p>Open the water drain cock on the burner tank, drain off sludge and water or use higher-grade oil Refill tank with oil Replace nozzle Clean feed pump filter Clean oil lines, and insulate tank and oil line Install an additional feed pump Replace filter and clean oil lines Replace</p> <p>Check compressed air and gauge pressure using primary airflow control Troubleshoot the heater and unlock the safety temperature limiter Adjust the level control float</p>
Nozzle and baffle plate are heavily soiled with oil or soot	<p>Incorrect baffle plate setting Combustion airflow rate too high or too low</p> <p>Boiler room is not sufficiently ventilated</p>	<p>Correct the baffle plate setting dimensions Set the primary airflow rate Set the secondary airflow rate at the air control flap Pay attention to sufficiently large ventilation ports</p>

24. Exploded view drawing / spare parts list



ZBZ_2-304_11-18

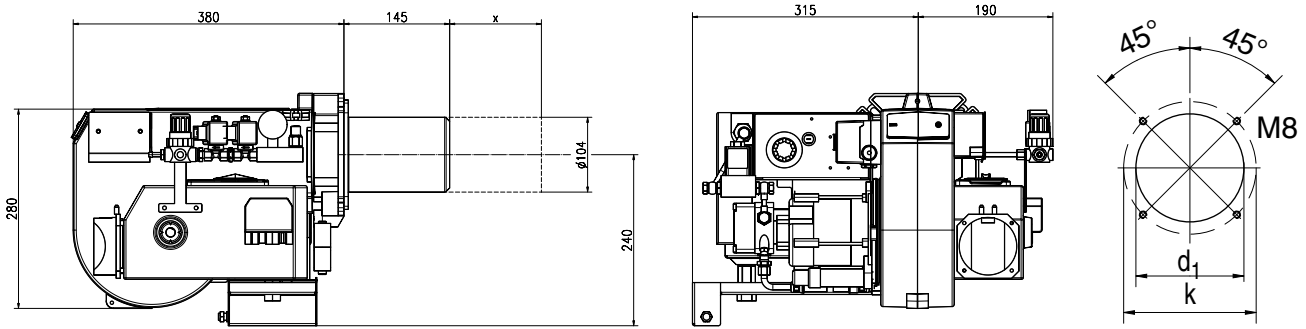
E:04.2000 • G: 04.01.24

Position	Designation	Pack qty.	Art. No.
1	Burner pipe 182 mm long	1	37-90-12112
1	Burner pipe 282 mm long (100 mm extension)	1	47-90-29208
1	Burner pipe 382 mm long (200 mm extension)	1	47-90-29212
2	Mounting flange seal	5	47-50-24429
3	Swivel flange compl.	1	47-90-26181
4	Diaphragm plate compl. with holder	1	47-90-22839
5	Nozzle assembly compl.	1	37-90-11391
5	Nozzle assembly compl. 100 mm extension	1	47-90-29210
5	Nozzle assembly compl. 200 mm extension	1	47-90-29216
6	Delavan HV1.5 nozzle	1	59-10-50448
7	Ignition electrodes (left + right)	1	47-90-26037
8	Ignition cable	1	47-90-27621
8	Ignition cable 100 mm extension	1	47-90-29242
8	Ignition cable 200 mm extension	1	47-90-29243
9	Air control handwheel	1	47-90-12100
10	Air damper flange	1	47-90-12099
11	Air damper compl.	1	47-90-12096
12	Housing cover	1	47-90-12095
13	Sight glass	5	47-50-12105
14	Sight glass cover	5	47-50-12106
15	7-pin socket with cable	1	47-90-11839
16	Control unit bottom AGK 11	1	47-90-11310-01
17	Control unit LMO 14	1	47-90-26320
18	Fan wheel 146 x 52	1	47-90-12104
19	Motor 180 W	1	47-90-12113
20	Motor with fan impeller compl.	1	47-90-27249
21	Coupling	10	37-50-10110
22	Suntec D45B pump with connections	1	47-90-26160
23	Conical nipple AL 13 x 18 x 2	50	38-50-11293
24	Hose nipple R 1/4" x 8LL	10	37-50-11348
25	Metal hose, nom. size 6	1	47-90-11347
26	Pump - solenoid valve connecting tube	1	37-90-10780
27	Banjo screw R1/8"	10	37-50-10736
28	Conical nipple AL 14 x 10 x 2	50	37-50-10788
29	Solenoid valve R1/4" SV04	1	36-90-11583
29	Solenoid valve coil	1	47-90-24686
30	Thread reducing adaptor 1/4" - 1/8"	1	47-90-11303
31	Solenoid valve-oil tank connecting tube	1	47-90-26171
32	Oil tank connection compl.	1	47-90-27627
33	Seal 24 x 16 x 2	10	47-50-10516
34	Drain valve	1	47-90-29964
35	Intake tube compl.	1	47-90-24514
36	Heating coil 1100 W	1	47-90-24505
37	Oil tank GU/GUPO55	1	47-90-29960
38	Oil tank cover	1	47-90-29926
39	Electrical box compl. preassembled	1	47-90-30046
40	Safety thermostat	1	47-90-29935
41	Flush-type thermostat	1	47-90-29933
44	Cover electric box	1	47-90-29928
45	Oil tank - nozzle assembly connecting tube	1	37-90-10287
45	Oil tank - nozzle assembly connecting tube 100 mm extension	1	47-90-29211
45	Oil tank - nozzle assembly connecting tube 200 mm extension	1	47-90-2314
46	Electronic ignition unit Mod. 26/48	1	47-90-26930
47	Air distributor connecting tube	1	47-30-27631
48	Air distributor, compl. preassembled	1	47-90-24568
49	Safety valve	1	47-90-26640
50	Pressure gauge 0-2.5 bar	1	47-90-12121
51	Solenoid valve coil	1	59-90-50368

Exploded view drawing / spare parts list

Position	Designation	Pack qty.	Art. No.
52	Double reduction nipple 1/4" - 1/8"	1	44-90-23075
53	Replacement pressure regulator	1	47-90-24594
54	Flame detector QRB 4	1	47-90-29994
55	Relais 56.328	1	47-90-27681
58	Float switch RK 1015/1	1	47-90-24506
-	Folding float switch with mechanical joint, M16x2	2	47-90-21063
-	Motor cable	1	37-90-11812

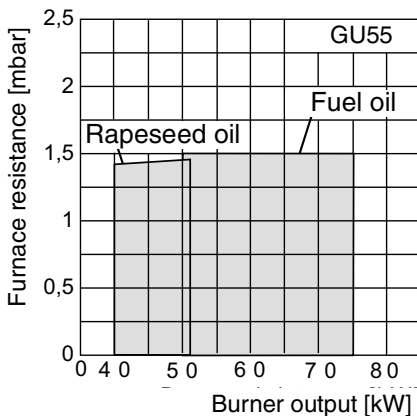
25. Burner dimensions / boiler connection dimensions



X= Burner tube extension 100 mm and 200 mm

Burner type	d1	k
GU55	104	160 - 195

26. Working range



All information in this technical documentation as well as the drawings, photos and technical descriptions placed at your disposal remain our property and may not be duplicated without our written permission given in advance.
Subject to change.

GIERSCH

Giersch GmbH • Brenner und Heizsysteme
D-58675 Hemer • Adjutantenkamp 18
Telephone +49 (0)2372/965-0 • Telefax +49 (0)2372/61240
Email: info@giersch.de • Internet: <http://www.giersch.de>

