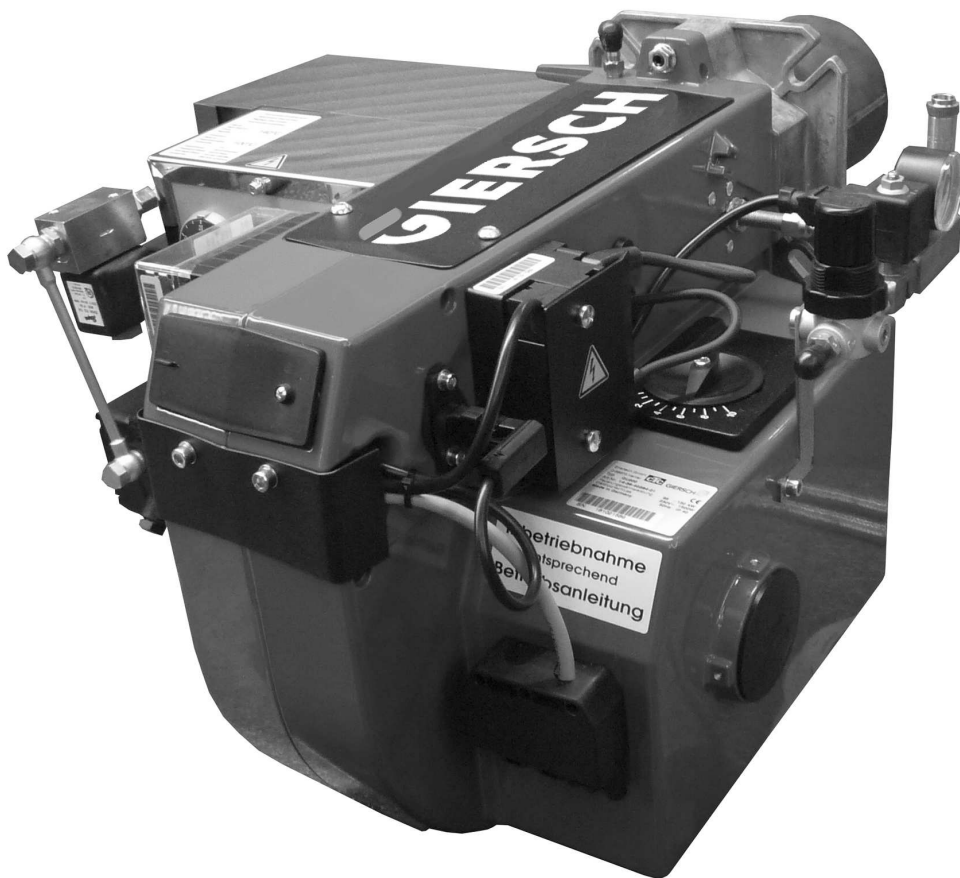


Universal Oil Burner GU200

Oil

January 2024 edition

In the interests of continuous product improvement, technical specifications are subject to change without prior notice.



Contents

1.	General information	3
2.	Checking scope of supply and electrical ratings	3
3.	Operating instructions	3
4.	Instruction	3
5.	Maintenance and customer service	3
6.	Technical specifications	4
7.	Functional description	4
8.	Air/oil flow schematic.....	4
9.	Installing flange and burner.....	5
10.	Connecting to power supply.....	5
11.	Compressed air connection	5
12.	Oil pump.....	6
13.	Installing the oil line.....	6
14.	Setting the ignition electrodes.....	6
15.	Control unit LMO.....	7
16.	Table of settings	9
17.	Settings for primary airflow	10
18.	Combustion air flow rate	10
19.	Flue connection.....	11
20.	Flue gas thermometer.....	11
21.	Maintenance	11
22.	Wiring diagram.....	12
23.	Possible errors	13
24.	Exploded view drawing / parts list.....	14
25.	Burner dimensions / boiler connecting dimensions.....	18
26.	Operating range.....	18

1. General information

An oil-fired system must be installed in compliance with a number of regulations and requirements. It is therefore the duty of the installer to be familiar with all applicable regulations and requirements. Installation, start-up and maintenance must be performed with utmost care.

The burner must not be operated in rooms with high levels of air humidity (laundry rooms), dust or corrosive vapours.



The burner series is certified according to EN 267 for fuel and colza oil.

Operation with other combustibles, especially highly combustible liquids as thinner, petrol, alcohol and corresponding composites, as well as brake fluid and antifreeze mixture, is not allowed.

Composites made up of high- and low viscosity liquids could separate .

Danger of autoignition !

Danger of injury !

Danger of material damage !

The use of flammable liquids with solid-sludge- or water content causes malfunction and breakdowns. The design and degree of protection of the burner make it suitable for operation in enclosed rooms.

2. Checking scope of supply and electrical ratings

Before installing the GIERSCH universal oil burner please check the items supplied for completeness.

Scope of supply:

burner, mounting unit, separate operating instructions, technical information, flange seal.



Near wear-free compressed air atomising nozzles are pre-fitted at the factory.

3. Operating instructions

This technical information should be displayed in a visible position in the boiler room as operating instructions. It is essential to write the address of the nearest customer service centre in the operating instructions.



Caution !

Improper installation, adjustment, modification, operation or maintenance may result in physical injury or damage to property/equipment. Read the instructions prior to use.

This product must be installed in accordance with the applicable regulations (e.g. DIN-VDE).

4. Instruction of operating personnel

Faults are often caused by operator error. The operating personnel must be properly instructed in how the burner works. In the event of recurring faults, Customer Service should be notified.

5. Maintenance and customer service

The complete system should be checked once a year for proper functioning and leak tightness by an authorised representative of the manufacturer or by another expert. We accept no liability for consequential damage in cases of incorrect installation or repair, the fitting of non-genuine parts or where the equipment has been used for purposes for which it was not intended.



Caution!

For maintenance and service work, the burner must be switched off!

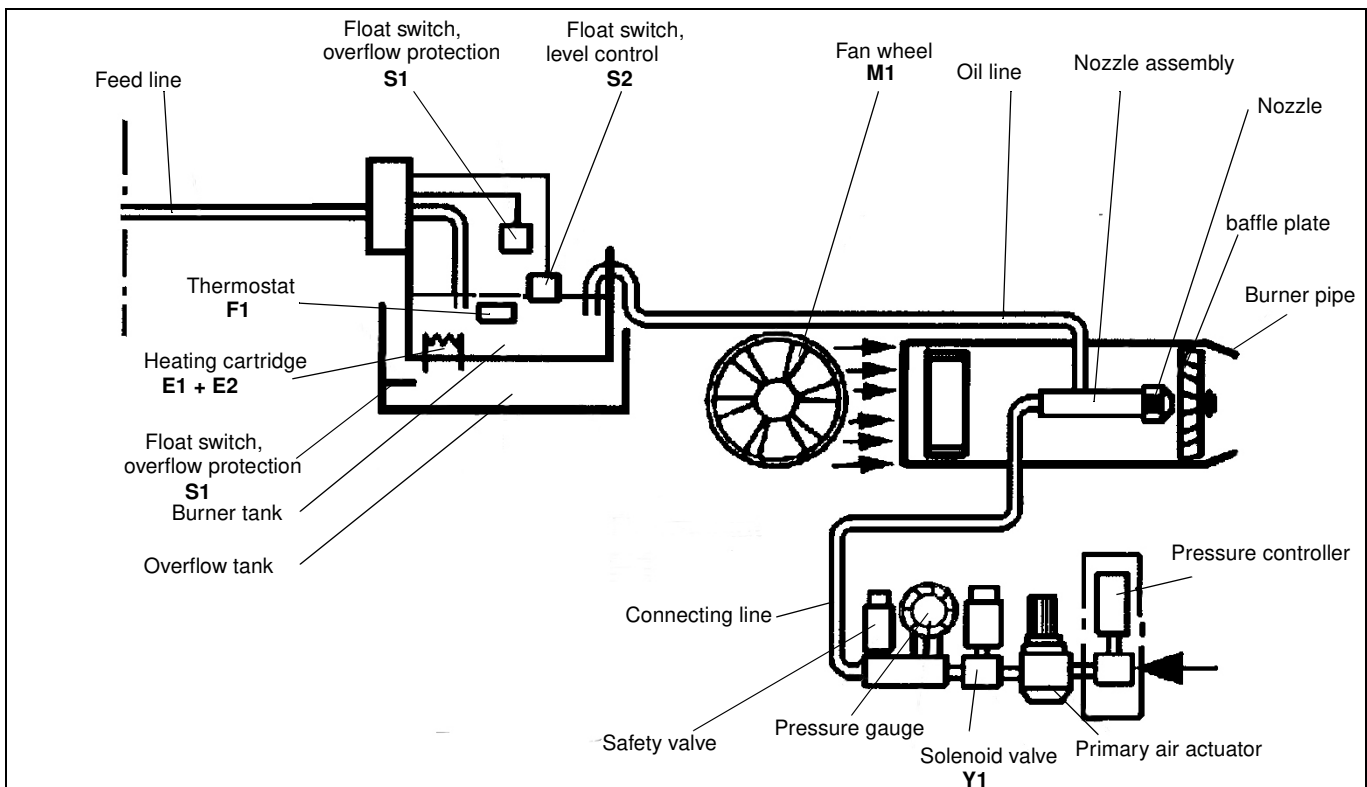
6. Technical specifications

		Burner type	
Technical specifications		GU200	
Output, fuel oil	kW	148- 210	
Oil throughput, fuel oil	kg/h	12.5 - 17.7	
Output, rapeseed oil	kW	95 - 150	
Oil throughput, rapeseed oil	kg/h	9.4 - 14.9	
Compressor output	m ³ /h	25	
Primary air connection	bar	0.5 - 1.4	
Motor output	W	250	
Heating element	W	1100	
Voltage		1/N/PE ~50 Hz 220 - 240 V	
Weight	kg	25	
Emission class fuel oil		2	
Emission class rapeseed oil		1	
NO _x limit fuel oil		< 185 mg/kWh	
NO _x limit rapeseed oil		< 250 mg/kWh	

7. Functional description

The fuel is pumped out of the supply tank and into the burner tank. A float switch controls the level inside the burner tank. Another float switch (overflow protection) serves as a limiter, which switches to fault if the tank is overfilled. A thermostat regulates the oil temperature in the burner tank and starts the burner when the set temperature is reached. Thereafter, the automatic oil burner control system controls and monitors the operation of the burner. Fuel is aspirated and finely atomised by a special nozzle using the compressed air flowing through the burner, which is used as primary air for the combustion process. The burner blower supplies the secondary air which is added to the atomised spray at the baffle plate. This ensures full combustion and operational reliability. At the oil temperature in excess of 150° C, the safety switch automatically de-energises the burner.

8. Air/oil flow schematic





9. Install flange and burner

Attach the burner flange and the seal to the heat generator.

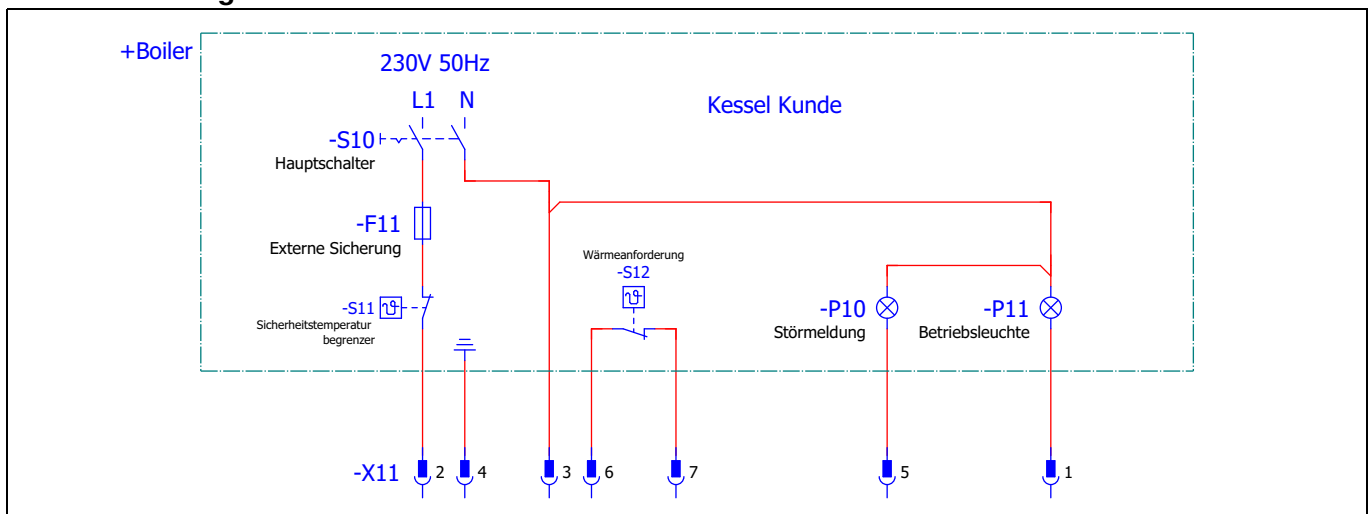
10. Connect to power supply

- Connect the burner to the power supply using the supplied connector unit as indicated in the wiring diagram.
- HEED LOCAL REGULATIONS !
- Use flexible wiring.

Overcurrent protection configuration

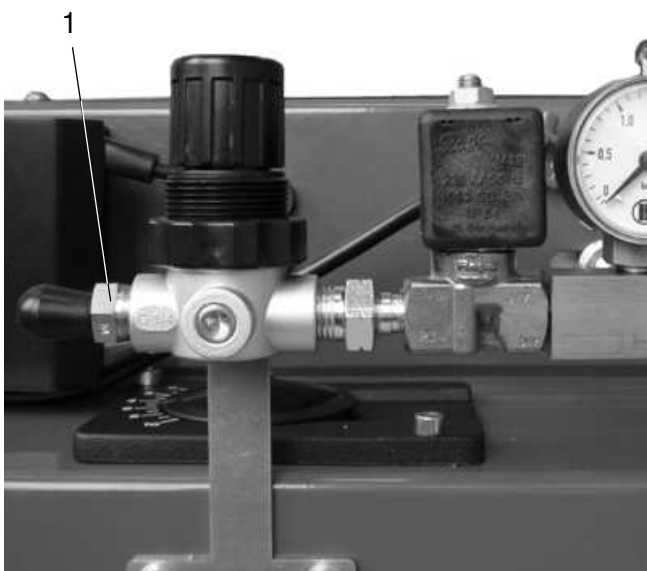
The overcurrent protection devices must be rated for the electrical current range indicated in the technical specifications and to provide protection against electrical shock according to DIN IEC 60364-4-41 (VDE 0100-410).

Connection diagram



11. Compressed air connection

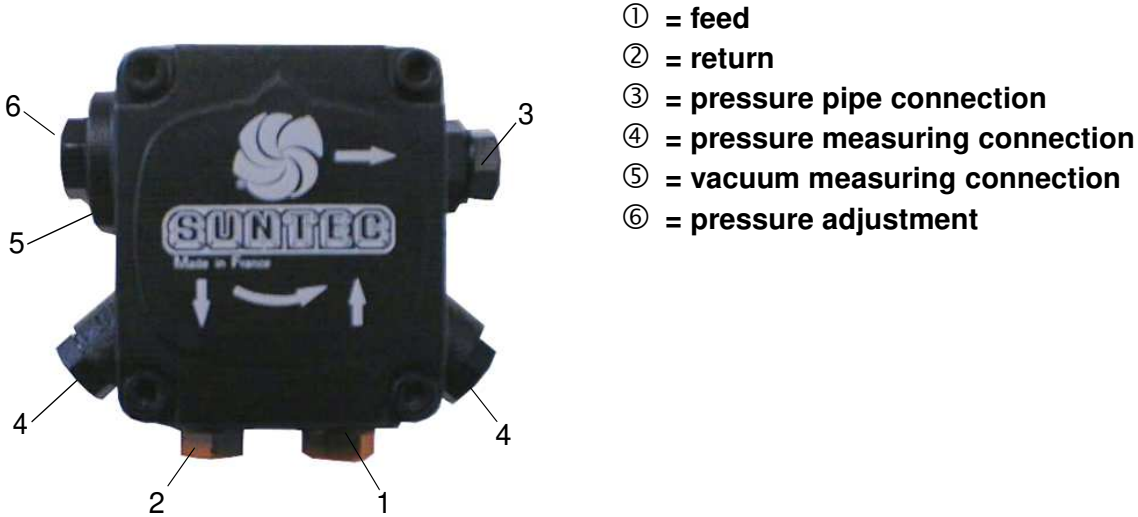
Connect a compressed air line to the pressure regulator (1).



12. Oil pump

The oil pumps serve as delivery units, pumping oil into the burner tank. The atomisation of the oil is not dependent on the oil pressure.

Suntec oil pump:

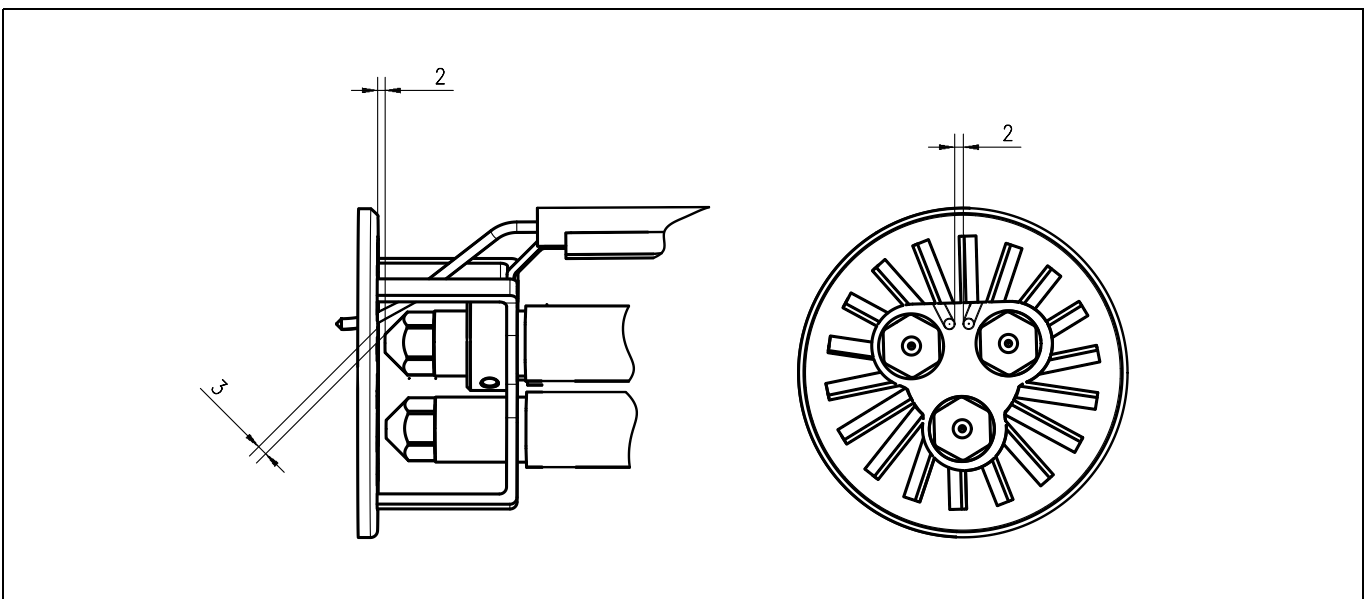


13. Installing the oil line

Install oil lines, filters and floating suction unit from the supply pump to the supply tank. For installation in the open air or on outside walls, the lines must be specially insulated or fitted with additional pipe heaters, as otherwise the water contained in the oil will freeze causing the oil to become highly viscous.

14. Setting the ignition electrodes

The ignition electrodes are preset. The specified dimensions (Fig.) are for checking purposes.



15. Function testing the control unit



**Testing the control unit for proper functioning
Danger of fatal injury from electric shocks!**



Disconnect electrical cable from power supply before carrying out any work on live parts! Troubleshooting may only be carried out by authorised and trained personnel! Unlocking may only be carried out by an authorised specialist.

When commissioning the plant or when doing maintenance work, make the following safety checks:

Burner startup with flame detector darkened:

- Lockout at the end of «TSA»

Burner startup with flame detector exposed to extraneous light:

- Lockout after no more than 40 seconds.

Burner operation with simulated loss of flame:

- For that purpose, darken the flame detector during operation and maintain that state

Repetition followed by lockout at the end of «TSA»

Safety and switching functions

If a flame failure occurs during operation, the fuel feed shuts off immediately and the system tries a restart, with pre-aeration and retarded ignition. If no flame results, the control box shows a fault after the safety time. The system restarts automatically after an interruption in the power supply. The control box shows a fault if the photo-electric cell detects a light source during the pre-aeration time, after the safety time.

Display during commissioning

Color code table for multi-color signal lamp		
Status	Color code	Color
Waiting time (tw), other Waiting states	○.....	OFF
Oil preheater is heating	●.....	Yellow
Ignition phase, ignition controlled	●○●○●○●○●○●○●○●○●○	Yellow flashing
Operation, flame OK	□.....	Green
Operation, flame poor	○□○□○□○□○□○□○□○□○	Green flashing
External light on burner start	□▲□▲□▲□▲□▲□▲□▲	Green-red
Undervoltage	●▲●▲●▲●▲●▲●▲●▲	Yellow-red
Fault, alarm	▲.....	Red
Fault code output, see fault code table	○▲○▲○▲○▲○▲○▲○▲○▲○▲	Red flashing
Interface diagnostics	▲▲▲▲▲▲▲▲▲▲▲▲▲▲▲▲▲▲	Red flickering light

Key:

- Permanent
- OFF
- ▲ Red
- Yellow
- Green

Function testing the control unit

Diagnostics of the cause of fault

After lockout, the red fault signal lamp remains steady on. In that condition, the visual diagnostics of the cause of fault according to the error code table can be activated by pressing the lockout reset button for more than 3 seconds. Pressing the reset button again for at least 3 seconds, the interface diagnostics will be activated. Interface diagnostics works only if the AGK20... lockout reset button extension is not fitted. If, by accident, interface diagnostics has been activated, in which case the slightly red light of the signal lamp flickers, it can be deactivated by pressing again the lockout reset button for at least 3 seconds. The instant of switching over is indicated by a yellow light pulse.

Error code table

Red blink code of signal lamp (LED)	„AL“ at term. 10	Possible cause
2 x blinks	ON	No establishment of flame at the end of «TSA» - Faulty or soiled fuel valves - Faulty or soiled flame detector - Poor adjustment of burner, no fuel - Faulty ignition equipment
3 x blinks	ON	Free
4 x blinks	ON	Extraneous light on burner startup
5 x blinks	ON	Free
6 x blinks	ON	Free
7 x blinks	ON	Too many losses of flame during operation (limitation of the number of repetitions) - Faulty or soiled fuel valves - Faulty or soiled flame detector - Poor adjustment of burner
8 x blinks	ON	Time supervision oil preheater
9 x blinks	ON	Free
10 x blinks	OFF	Wiring fault or internal fault, output contacts, other faults

During the time the cause of fault is diagnosed, the control outputs are deactivated burner remains shut down.

The diagnostics of the cause of fault is quit and the burner switched on again by resetting the burner control. Press the lockout reset button for about 1 second (<3 seconds).

Flame monitor with Flame detector QRB



The flame detector is used for monitoring of burning oil flames and for ignition spark.

Trouble-free burner operation is ensured only when the intensity of UV radiation at the detector's location is high enough for the detector's UV cell to ignite during each half wave.

Operability check:

A safety check of the flame failure system must be carried out when the appliance is first commissioned and after any inspections or long periods of inactivity.

Start-up test with flame detector covered:

After expiry of the safety period, the burner should perform a safety cut-out.

Start-up test with flame detector illuminated:

After approx. 20 s of pre-aeration the burner must go over to fault.

Standard. Startup; if burner in operation, darken the flame detector:

Attempt startup again, at the end of the safety time the burner must go over to fault.

16. Adjustment table

The values given in the table are only setting values for start-up. The system settings required in each case must be redefined if values such as boiler output, calorific value and altitude deviate. **Adjustment is required in any case (due to the system design).**

- For initial start-up, fill the burner tank up to the oil mark by hand.

**Caution !**

If the oil level is too high, the float switch will switch off the burner.

If the oil level is too low, the heating cartridge will become encrusted or damaged.

Adjustment table for rapeseed oil

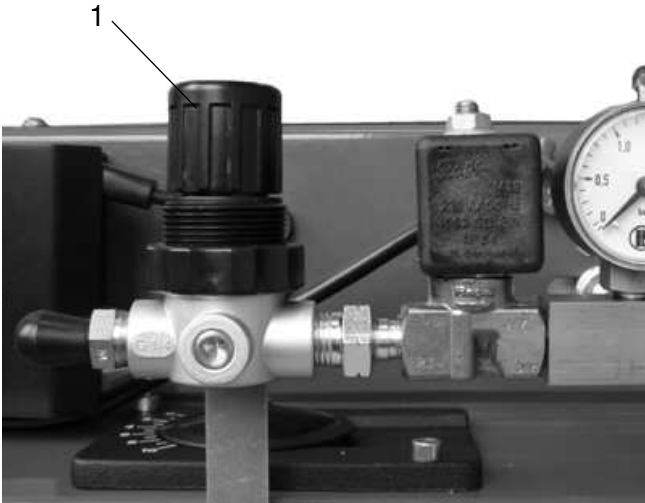
Burner type	GU200				
Output in kW	100	111	131	140	149
Oil throughput in kg/h	9.42	10.5	12.3	13.2	14
Primary air in bar	0.5	0.7	0.8	1.0	1.2
Secondary air (scale on air damper)	2.8	3.0	3.3	4.2	4.7
Thermostat setting in °C	140				

Adjustment table for fuel oil

Burner type	GU200				
Output in kW	149	159	179	192	208
Oil throughput in kg/h	12.5	13.3	15.0	16.1	17.4
Primary air in bar	0.6	0.7	0.9	1.1	1.4
Secondary air (scale on air damper)	5.0	5.2	6.0	6.8	7.5
Thermostat setting in °C	0° do not heat				

The thermostat on the burner tank must be set to between "min." for heating oil EL and 140°C for rapeseed oil, depending on the viscosity of the oil.

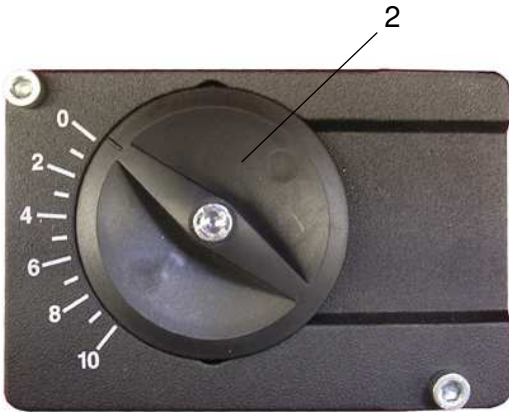
17. Settings for primary airflow



The primary airflow should be set using the pressure regulator (1) according to the required burner output. The information given in the diagram can be used as guide values.

Higher-viscosity fuels require higher air pressures.

18. Combustion air flow rate



Setting the combustion air flow rate (2).

Ideal values:

- Soot index according to Bacharach <1
- O₂ = 4 - 5%

The CO₂ values of a commercially available measuring instrument can only be used for processing the combustion process for heating oil EL.

Flue gas temperature according to the operating instructions of the heat generator.

19. Flue connection

The prerequisite for perfect operation of the furnace is a correctly dimensioned flue.

Dimensioning is effected in accordance with DIN 4705 in consideration of DIN 18160 and based on the boiler and burner outputs.

For operation on a sliding basis, provide flues as per DIN 18160 part, group 1. The flue gas mass flow of the total rated heat output must be factored into the calculation. The effective flue height is counted from burner level. Furthermore, we refer you to the statutory building regulations of the individual German federal states.

Select a flue design which minimises the danger of condensation or of a cold flue inner wall.



For exact adjustment and stabilisation of the flue draught we recommend the installation of a draught limiter.

Thus:

- any draught fluctuations are equalised
- moisture in the flue is largely excluded
- stoppage losses are reduced.

Connection pieces should be introduced into the flue with a gradient of 30° or 45° viewed in flow direction. It is best to provide flue gas pipes with thermal insulation.

20. Flue gas thermometer

For flue gas temperature monitoring the heating system should be equipped with a flue gas thermometer. The higher the flue gas temperature, the greater the flue gas loss.

Rising flue gas temperatures indicate increasing deposits that will reduce the degree of combustion efficiency. In the event of an increasing flue gas temperature have the heating installation cleaned and readjusted by a skilled person.

21. Maintenance

Depending on the quality of the oil used, we recommend the following maintenance intervals:

After more than 3 days downtime:

- drain off residual water and sludge through the water drain cock in the burner tank,

Monthly:

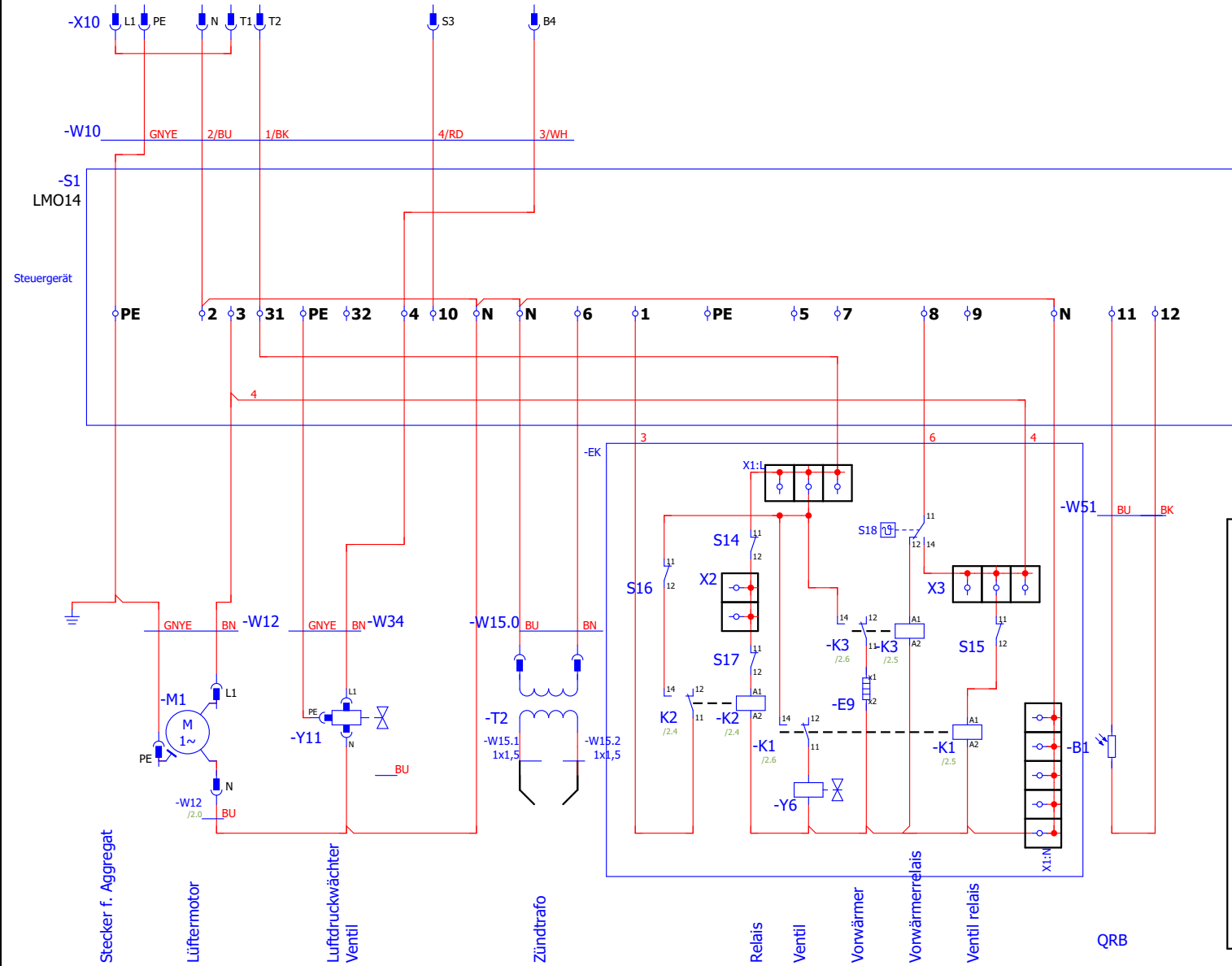
- Clean the filter in the supply tank or the unit tank and strainer on the floating suction unit
- Remove and clean the feed pump filter
- Remove sludge and residual water from the supply tank or unit tank
- The quantity can be determined by using water indication paste and a gauging rod
- Clean the photocell
- Clean the ignition electrode and baffle plate and blow out the nozzle with compressed air, check the spacing between the ignition electrodes (refer to checking dimensions for ignition electrodes)

Annually (before or after the heating period):

- Carry out monthly maintenance as described
- Clean the heating cartridges in the burner tank
- Clean the ignition electrodes and baffle plate, blow out the nozzle with compressed air and check the spacing between the ignition electrodes
- Clean the burner tank, supply tank and unit tank thoroughly.

22. Circuit diagram

SP_1-1066.1



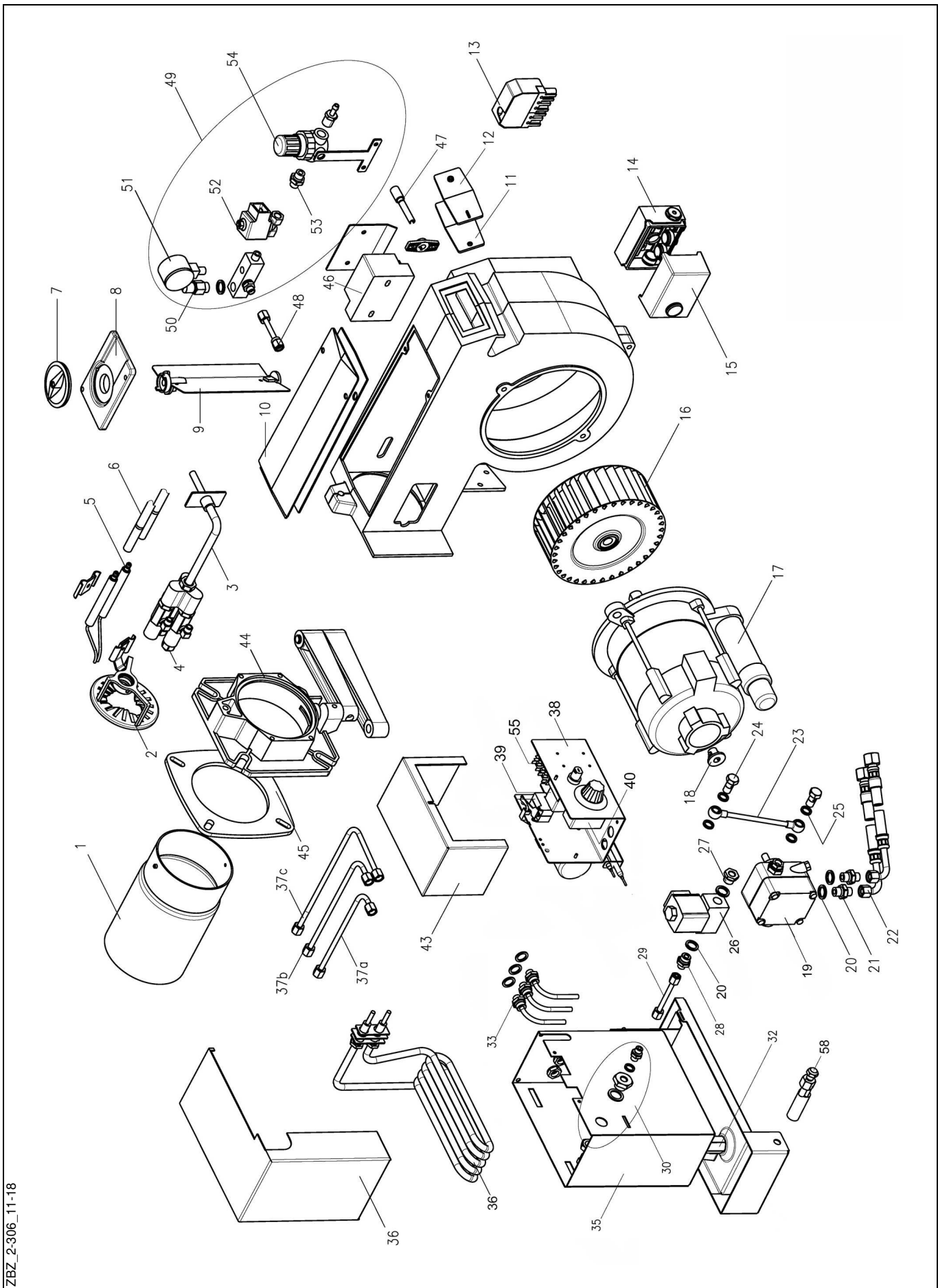
Aderfarben	
Braun	- BN
Blau	- BU
Grau	- GY
Schwarz	- BK
Rot	- RD
Weiss	- WH
Grünelb	- GNYE
Violett	- VT

Legende	
B1	Flammenüberwach.
E9	Vorwärmer
K1.....K10	Funktionrelais
M1	Lüftermotor
P10	Leuchtmelder Störung
P11	Leuchtmelder Betriebsbereit
S1	Steuerung
S10	Hauptschalter
S11	Sicherheitstemperatur begrenzer
S12	Termostat WA
S14	Überlauf Vorwärmer
S15	Schalter Niveau MV Pump
S16	Sicherheits Tem. Begrenzer
S17	Überlauf Wanne
S18	Termostat Vorwärmer
Y6	Ventil Pumpe
Y11	Ventil Luft

23. Troubleshooting

Observation	Cause	Remedy
Burner does not start up	<p>Oil not combustible due to sludge and / or water</p> <p>Oil tank empty Oil level in burner tank too high</p> <p>Filter dirty, oil or air lines leaky Faulty feed pump solenoid valve</p> <p>Nozzle dirty or faulty Feed pump blocked No current Motor faulty Thermostat faulty Photocell dirty or not correctly inserted</p> <p>Control unit faulty No ignition</p> <p>No compressed air</p> <p>Solenoid valve faulty Compressor or air line faulty</p>	<p>Open the water drain cock on the burner tank, drain off sludge and water or use a higher-grade heating oil Refill tank with oil</p> <p>Correct the oil level by draining off oil by means of the water cock (readjust the level control float switch, if necessary)</p> <p>Clean the filter, feed pump filter and lines Check the feed pump solenoid valve and replace if necessary</p> <p>Replace nozzle Strip the feed pump and clean the gear Switch on the heater switch</p> <p>Replace Replace</p> <p>Clean the photocell, replace it or connect it properly Replace</p> <p>Adjust the ignition electrode, replace the ignition transformer if necessary and check the ignition cable</p> <p>Connect and/or open the compressed air and set the pressure</p> <p>Replace Replace</p>
Burner starts very late	Heating cartridge and thermocouple in burner tank encrusted or faulty	Clean or replace the heating cartridge and thermocouple in the burner tank
Burner starts without pre-ventilating	Solenoid valve sticking in open position	Replace
No oil feed	Solenoid valve faulty	Replace
Flame is interrupted or extinguishes	<p>Oil not combustible due to sludge and / or water</p> <p>Oil supply used up Clogged nozzle Dirty feed pump filter Oil line to tank frozen Supply tank too far away from burner Filter or oil lines dirty Solenoid valve faulty Too much or not enough compressed air</p> <p>Safety temperature limiter is in the safety position because the heater has overheated Micro-switch in burner tank cuts out</p>	<p>Open the water drain cock on the burner tank, drain off sludge and water or use higher-grade oil Refill tank with oil</p> <p>Replace nozzle Clean feed pump filter Clean oil lines, and insulate tank and oil line Install an additional feed pump</p> <p>Replace filter and clean oil lines Replace</p> <p>Check compressed air and gauge pressure using primary airflow control Troubleshoot the heater and unlock the safety temperature limiter Adjust the level control float</p>
Nozzle and baffle plate are heavily soiled with oil or soot	<p>Incorrect baffle plate setting Combustion airflow rate too high or too low</p> <p>Boiler room is not sufficiently ventilated</p>	<p>Correct the baffle plate setting dimensions Set the primary airflow rate Set the secondary airflow rate at the air control flap</p> <p>Pay attention to sufficiently large ventilation ports</p>

24. Exploded view drawing / spare parts list



ZBZ_2-306_11-18

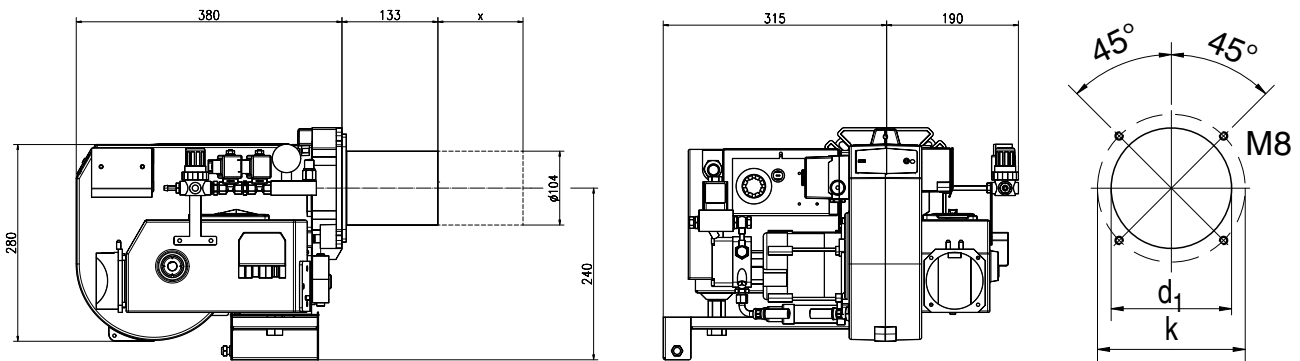
E.04.2000 • G. 05.01.24

Position	Designation	Pack qty.	Art. No.
1	Burner pipe, 177 mm long	1	47-90-27625
1	Burner pipe, 277 mm long (100 mm extension)	1	47-90-29229
1	Burner pipe, 377 mm long (200 mm extension)	1	47-90-29232
2	Diaphragm plate compl. with holder	1	41-90-20850
3	Nozzle assembly compl.	1	37-90-12156
3	Nozzle assembly compl. 100 mm extension	1	47-90-29228
3	Nozzle assembly compl. 200 mm extension	1	47-90-29231
4	Delavan HV2 nozzle	1	59-20-50449
5	Ignition electrodes (left + right)	1	47-90-27486
6	Ignition cable 440 mm long	2	47-50-26739
6	Ignition cable 540 mm long	2	47-50-26740
6	Ignition cable 640 mm long	2	47-50-26741
7	Air control handwheel	1	47-90-12100
8	Air damper flange	1	47-90-12099
9	Air flap, compl. preassembled	1	47-90-10646
10	Seal for housing cover	5	47-50-10668
11	Sight glass	5	47-50-12105
12	Sight glass cover	5	47-50-12106
13	7-pin socket with cable	1	47-90-11839
14	Control unit bottom part AGK 11	1	47-90-11310-01
15	Control unit LMO 14	1	47-90-26320
16	Fan wheel 160 x 62	1	47-90-10665
17	Motor 250 W with cable	1	47-90-28895
18	Coupling set	1	47-90-28958
19	Suntec D45B pump with connections	1	47-90-26160
20	Conical nipple AL 13 x 18 x 2	50	38-50-11293
21	Hose nipple R 1/4" x 8LL	10	37-50-11348
22	Metal hose, nom. size 6 1200 mm long	1	47-90-11347
23	Pump - solenoid valve connecting tube	1	47-90-26162
24	Banjo screw R1/8"	10	37-50-10736
25	Conical nipple AL 14 x 10 x 2	50	37-50-10788
26	Solenoid valve R1/4" SV04	1	36-90-11583
26	Solenoid valve coil	1	47-90-24686
27	Thread reducing adaptor 1/4" - 1/8"	1	47-90-11303
28	Hose nipple R1/4" x 6LL	10	47-50-20862
29	Solenoid valve - oil tank connecting tube	1	47-90-26512
30	Oil tank - solenoid valve connection compl.	1	47-90-27627
31	Seal 24 x 16 x 2	10	47-50-10516
32	Drain valve	1	47-90-29964
33	Intake tube compl.	1	47-90-24514
34	Heating coil 1100 W	1	47-90-24505
35	Oil tank GU/GUPO200	1	47-90-29965
36	Oil tank cover	1	47-90-29926
37a	Oil tank - nozzle assembly connecting tube part 1	1	47-90-26186
37a	Oil tank - nozzle assembly connecting tube part 1, 100 mm extension	1	47-90-29234
37a	Oil tank - nozzle assembly connecting tube part 1, 200 mm extension	1	47-90-29237
37b	Oil tank - nozzle assembly connecting tube part 2	1	47-90-26187
37b	Oil tank - nozzle assembly connecting tube part 2, 100 mm extension	1	47-90-29235
37b	Oil tank - nozzle assembly connecting tube part 2, 200 mm extension	1	47-90-29238
37c	Oil tank - nozzle assembly connecting tube part 3	1	47-90-26188
37c	Oil tank - nozzle assembly connecting tube part 3 100 mm extension	1	47-90-29236
37c	Oil tank - nozzle assembly connecting tube part 3, 200 mm extension	1	47-90-29239
38	Electrical box compl. preassembled	1	47-90-29953
39	Safety thermostat	1	47-90-29935
40	Flush-type thermostat	1	47-90-29933
43	Cover electric box	1	47-90-29928
44	Swivel flange compl.	1	47-90-26181
45	Mounting flange seal	5	47-50-12094

Exploded view drawing / spare parts list

Position	Designation	Pack qty.	Art. No.
46	Electronic ignition unit Mod. 26/48	1	47-90-26930
47	Flame detector QRB 4	1	47-90-29994
48	Air distributor connecting tube	1	47-90-27628
49	Air distributor, compl.	1	47-90-24568
50	Safety valve	1	47-90-22344
51	Pressure gauge 0-2.5 bar	1	47-90-12121
52	Solenoid valve coil	1	59-90-50368
53	Double reduction nipple 1/4" - 1/8"	1	44-90-23075
54	Replacement pressure regulator	1	47-90-24594
55	Relais 56.328	1	47-90-27681
58	Float switch RK 1015/1	1	47-90-24506
-	Folding float switch with mechanical joint, M16x2	2	47-90-21063
-	Motor cable	1	37-90-11812

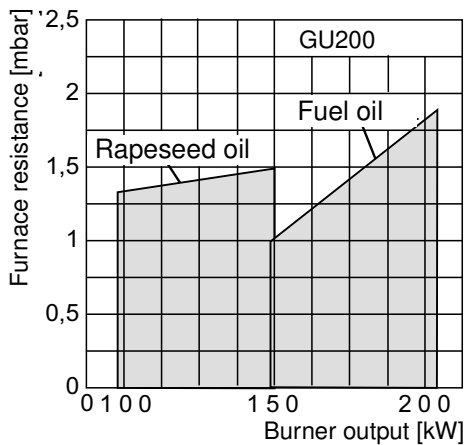
25. Burner dimensions / boiler connection dimensions



X= Burner tube extension 100 mm and 200 mm

Burner type	d1	k
GU200	104/146	160 - 195

26. Working range



All information in this technical documentation as well as the drawings, photos and technical descriptions placed at your disposal remain our property and may not be duplicated without our written permission given in advance.
Subject to change.

GIERSCH

Giersch GmbH • Brenner und Heizsysteme
D-58675 Hemer • Adjutantenkamp 18
Telephone +49 (0) 2372/965-0 • Telefax +49 (0) 2372/61240
Email: info@giersch.de • Internet: <http://www.giersch.de>

