

## Technical information - Installation instructions

# GNTS 21/ 31

## Low-temperature boiler

Issue February 2023  
Subject to technical changes in the  
interest of product improvement!



## Table of contents

<b>1</b>	<b>Safety instructions</b>	<b>3</b>
1.1	Work on the heating system	3
<b>2</b>	<b>General information</b>	<b>3</b>
2.1	Product features	3
2.2	Installation room / boiler room	3
2.3	Check water level	4
2.4	Corrosion protection	4
2.5	Maintenance	4
2.6	Technical information	4
<b>3</b>	<b>Guidelines and standards</b>	<b>4</b>
3.1	Warranty	5
3.2	Intended use	5
<b>4</b>	<b>Technical specifications</b>	<b>6</b>
4.1	Important components	6
4.2	Technical data	7
4.3	Dimensions	8
4.4	Space requirement	10
<b>5</b>	<b>Hydraulic integration</b>	<b>11</b>
<b>6</b>	<b>Installation</b>	<b>15</b>
6.1	Burner mounting	15
6.2	Flue gas connection	15
6.3	Boiler control panel controls	16
6.4	Installation of rezi tube	17
<b>7</b>	<b>Start-up</b>	<b>18</b>
7.1	Start-up	18
7.2	Boiler control panel connection	19
7.3	Electrical connection boiler control panel	20
7.4	Requirements for the flue gas system	21
7.5	Adjusting the flue gas temperature	21
7.6	Design of the inspection opening	22
<b>8</b>	<b>Maintenance and decommissioning</b>	<b>23</b>
8.1	Boiler cleaning	23
8.2	Inspection of the system	23
8.3	Restarting	23
8.4	Shutting down	23
<b>9</b>	<b>Start-up log</b>	<b>24</b>
<b>10</b>	<b>Exploded view / Spare parts list</b>	<b>25</b>
10.1	Functional components	25
10.2	Boiler-specific components	26
10.3	Switch panel components	27
10.4	Panelling components	28
<b>11</b>	<b>Declaration of Conformity</b>	<b>29</b>

## 1 Safety instructions

- Please read these installation instructions carefully before starting the installation.
- All liability and warranty claims are void for damage caused by non-observance of these installation instructions!
- Improperly performed work can lead to injuries or damage to property!
- The user of the system must be instructed in its function and operation by the installer.

### 1.1 Work on the heating system

- Installation, start-up, maintenance and servicing work on the boiler and the heating system may only be carried out by an authorised heating contractor.
- Improperly performed work can lead to injuries or property damage!
- When installing the electrical connection, the applicable guidelines and the regulations of the responsible energy supplier must be observed.
- Work on electrical equipment may only be carried out by a certified electrician in accordance with the applicable regulations.

#### 1.1.1 Before the Installation

- Close the oil valve.
- Switch off the main heating switch and secure it against being switched on again.

#### 1.1.2 Before start-up

- Check flanges and connections for leaks, e.g. after cleaning work.

#### 1.1.3 For exhaust odour

- Take the system out of operation,
- Open windows and doors,
- Notify a specialised heating company.

#### 1.1.4 In case of oil leakage

- Take the system out of operation and close the valves on the oil supply pipe,
- Notify a specialised heating company.

## 2 General Notes

### 2.1 Product features

- Compact design in the power range of 21 and 31 kW
- Low-temperature oil boiler for single and two-family homes, firing EL heating oil
- Can be combined with the adjacent upright storage tanks or with low storage tanks
- Boiler body made of sheet steel (S235JRG2) welded with two flow and return connections, two-pass boiler with cylindrical combustion chamber, deflection flame principle
- Boiler is fully assembled with insulating panelling and thermal insulation
- Insulating panelling powder-coated in RAL 9016
- Easy cleaning of the boiler from the front thanks to the horizontal arrangement of the heating gas flues
- Control of 1-stage and 2-stage burners possible
- Delivered on a wooden pallet with wooden edge protection and protective film
- Weather-regulated control ready assembled. Sensor included, depending on version

### 2.2 Installation room/boiler room

- The installation and operation of stoves is subject to certain regulations. The building regulations and statutory provisions must be observed during the construction and operation of the system.
- Do not make any changes to the appliance or its surroundings without consulting a certified specialist installer.
- Do not close or reduce the size of the air supply and flue gas openings in the installation/heating room and do not obstruct them with objects.
- Do not store or use any explosive or highly flammable substances in the installation room or boiler room. Evaporation of these substances can lead to corrosion of the boiler and flue gas system.

### 2.3 Check water level

- Please check the water level of your heating system regularly on the manometer (on site). If necessary, fill up with water slowly - do not fill cold water into the heated system.
- Your installer will be happy to show you how to top up your heating system correctly.
- After filling the system, disconnect the connection (hose line) between the drinking water and heating system!

### 2.4 Corrosion protection

- Do not use or store solvents, cleaning agents containing chlorine, paints, adhesives, etc. in the installation room of the appliance. Evaporation of these substances can lead to corrosion of the boiler and flue gas system.

### 2.5 Maintenance

- The system operator is obliged to have regular maintenance and cleaning carried out by a specialist (once a year).
- We recommend concluding a maintenance contract. Failure to carry out maintenance increases the safety risk. Failure to carry out maintenance invalidates all liability and warranty claims!

### 2.6 Technical Information

- Please hand this Technical Information to the system operator. It must be visibly displayed in the boiler room. Familiarise the operator with the operation and commissioning of the system.
- Please also observe the instructions for the other components of the heating system.

## 3 Guidelines and standards

Please observe the following guidelines and standards for the installation and operation of the heating system:

**HeizAnIV** Heizanlagenverordnung

**FeuVo**

Firing regulations of the federal states

**1. BImSchV**

First Ordinance on the Implementation of the Federal Immission Control Act

**VDI 2035**

Guidelines for the prevention of damage caused by corrosion and scale formation in hot water heating systems

**VDE 0100**

Power installations up to 1000 V

**VDE**

- Regulations and special requirements of the energy suppliers

**EN 303**

Boiler

**EN 60335**

-1 - Safety household and similar electrical appliances

**DIN EN 13384**

Calculation of flue system dimensions

**DIN EN 12828**

Hot water heating systems Safety equipment **DIN 4755**

Oil firing systems - Construction, design, safety requirements **DIN 18160**

Flue gas systems

**DIN EN 50156-1**

Electrical equipment of combustion plants

**ÖNORM**

C 1 1 09: 1990 - Heating oils

**ÖNORM**

B 81 31 - Closed water heaters

**EnEV**

Energy Saving Ordinance

**813/2013 EU**

Energy Efficiency Directive of the European Union

**811/2013 EU**

Energy Labelling Directive of the European Union

The regional building regulations must also be observed.

### 3.1 Warranty

The scope of the warranty is governed by our "General Terms and Conditions".

The warranty obligation does not apply if

- the GNTS boilers are used outside the "intended use".
- installation, start-up, maintenance and operation are carried out contrary to the specifications in the valid installation and operating instructions.
- no standardised fuel is used.

### 3.2 Intended use

#### 3.2.1 Field of application



**The firing system must be configured in such a way that a control shutdown occurs at least every 24 hours.**

The combustion air must be dry and must not be contaminated with halogenated hydrocarbons (possibly contained in cleaning agents and solvents, adhesives and paints) or aggressive dusts and / or vapours.

#### 3.2.2 Regulation

The GNTS boiler is designed for operation as a low-temperature boiler with a temperature limit of 38°C. According to the applicable Energy Saving Ordinance, heating systems must be equipped with controls that switch the heat supply and pumps on and off depending on the time and the outside temperature or another suitable reference variable.

#### 3.2.3 Expansion vessel in the domestic hot water circuit

We recommend the installation of an approved pressurised expansion vessel using the continuous flow principle in order to avoid overflow losses during the heating-up period.

#### 3.2.4 Boiler filling water

The general requirement for the boiler filling water is drinking water quality.

The requirements of VDI 2035 must be observed.

**Additives to the boiler filling water - e.g. antifreeze - are only permitted with the authorisation of the boiler manufacturer.**

### 3.2.5 Hydraulics

Before installing the GNTS boiler, the heating system must be professionally flushed. This applies to old **and** new systems.

For old systems, we recommend installing a heating water filter in the boiler return.

The system pressure at the boiler must not be less than 1.0 bar.

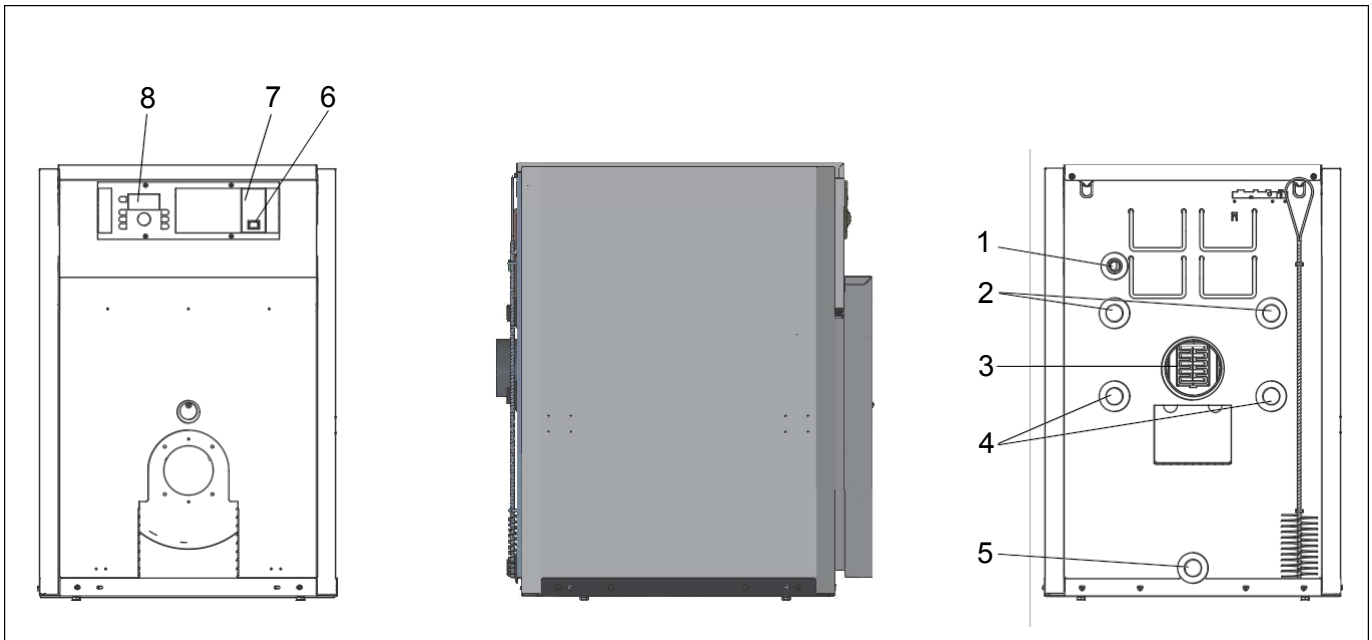
Oxygen diffusion through non-diffusion-tight plastic pipes in the heating circuit, e.g. in floor heating systems, leads to corrosion of ferrous materials and sludge formation. Such heating systems require system separation by means of stainless steel heat exchangers.

The use of an additional low-water cut-out is recommended for roof heating centres.

It must be installed in accordance with the Giersch hydraulic circuit diagrams (see chapter 5). When hydraulically integrating the GNTS boiler, it must be ensured that at least one heating circuit is designed with a system temperature of 70/55°C.

## 4 Technical Details

### 4.1 Important components



- 1 Air vent connection G 3/4
- 2 Heating flow G1
- 3 Flue gas connection NW 130
- 4 Heating return G1
- 5 Drain
- 6 Mains switch
- 7 Fuse
- 8 Weather-regulated control

## 4.2 Technical Data

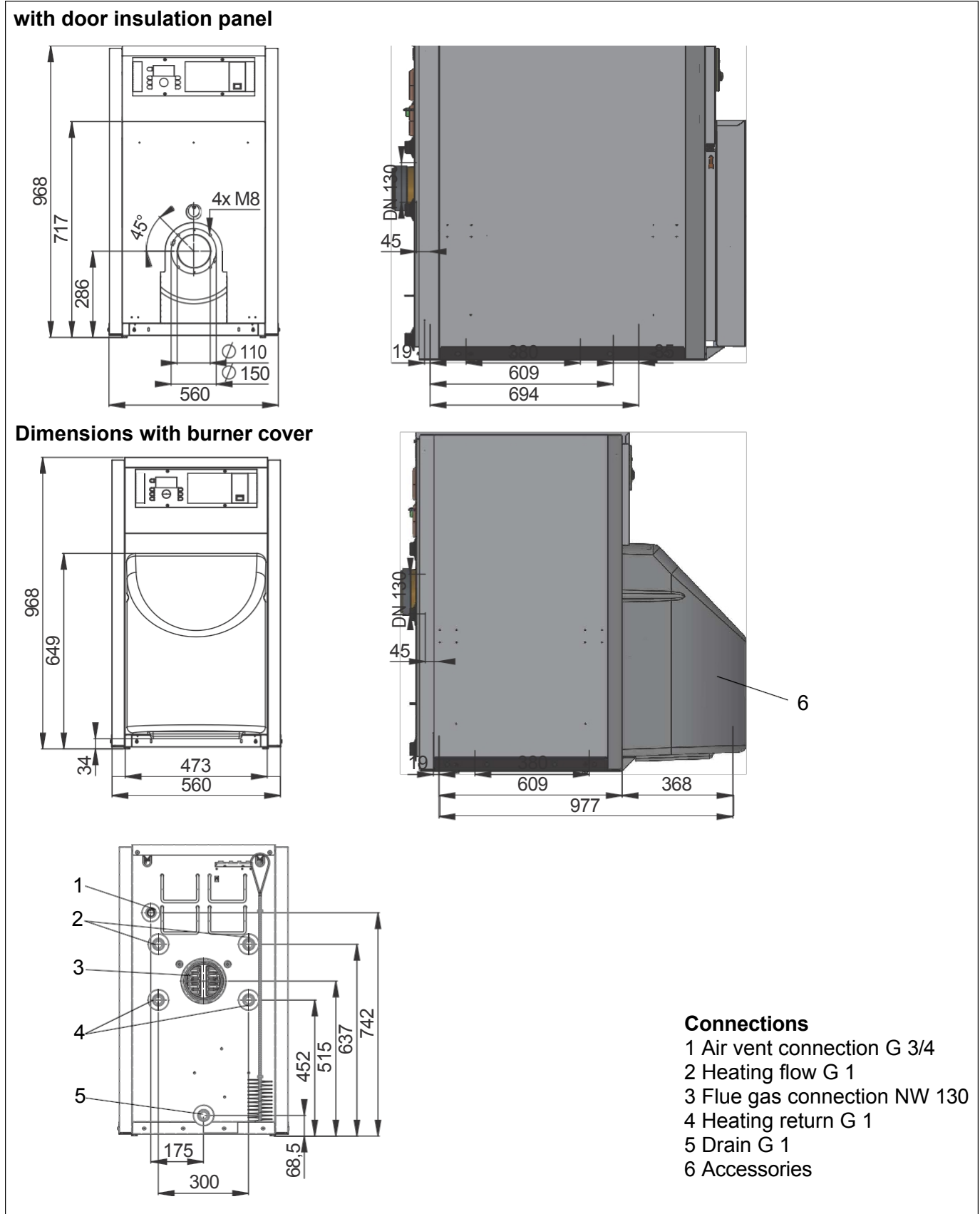
GNTS		21	31
Product ID no.		CE 2456 CI 101	
Nominal heat load	kW	23	32,7
Nominal heat output	kW	21	31
Standard utilisation factor (DIN 4702-8)	%	86	
Flue gas loss	%	5	
Standby loss	%	0,5	0,45
=Water-side resistance $\Delta T$ 20 k	mbar	9	10
Boiler water content	l	92	130
Combustion chamber volume	l	40	46
Combustion chamber diameter	mm	320	
Combustion chamber length	mm	470	
Flue gas resistance	Pa	19	17
Flue gas temperature	°C	142	140
CO <sub>2</sub> content of the flue gases	Vol %	12,5	
Flue gas mass flow	g/s	9,5	14
Required inlet pressure	Pa	5	
Setting range of the boiler temperature controller	°C	38 - 75 (85)	
STB switch-off temperature	°C	110	
Min. boiler temperature	°C	38	
Max. Boiler operating pressure	bar	3	
Electrical connection	V/Hz	230/50	
Protection by back-up fuse	A	10	
Protection class	IP	40	
Sound power level (in conjunction with burner)	dB	53	54
Flue gas connection	NW	130	
Boiler connections, flow/return/drain	G	1	
Width	mm	560	660
Depth	mm	694	795
Height	mm	967	970
Weight with packaging	kg	140	183
Installation weight (without water content)	kg	120	155

### 4.3 Dimensions



The dimensioning **does not** take into account the height of the levelling legs of min. 25 mm!

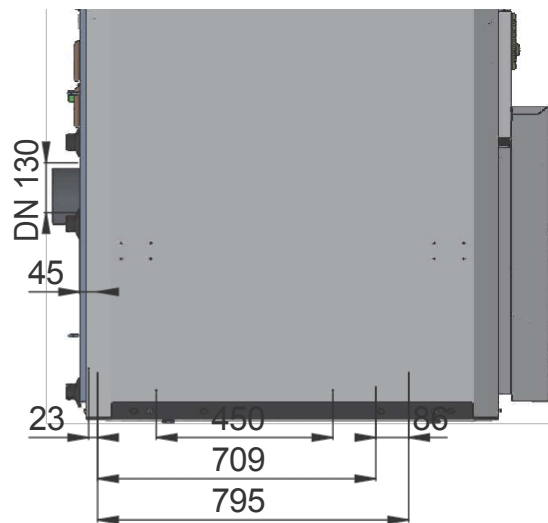
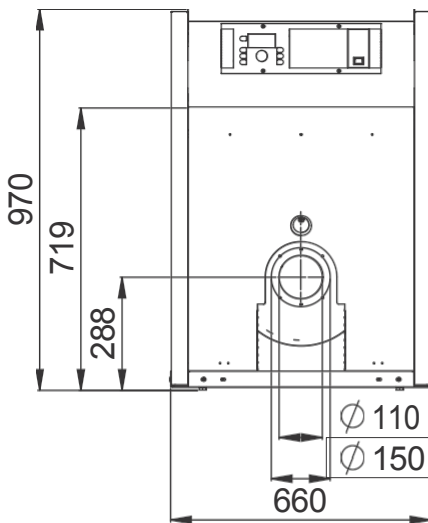
#### Dimension GNTS 21 Dimension



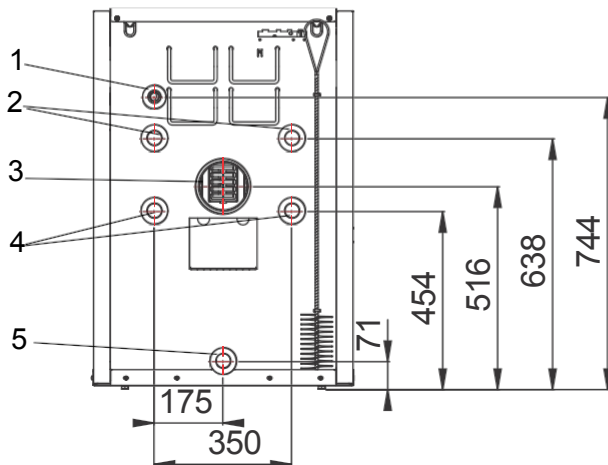
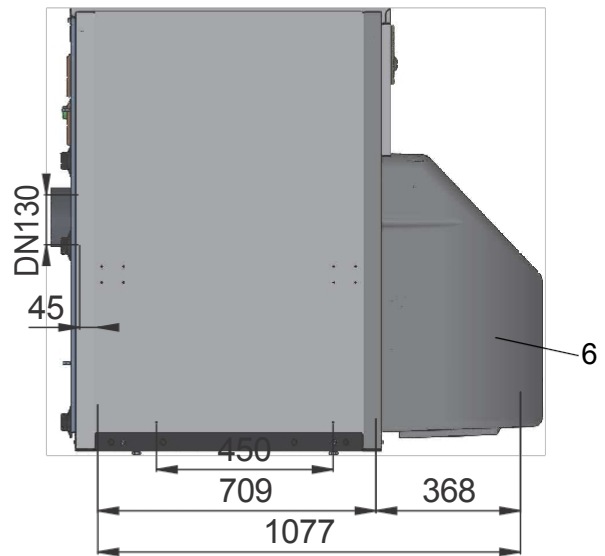
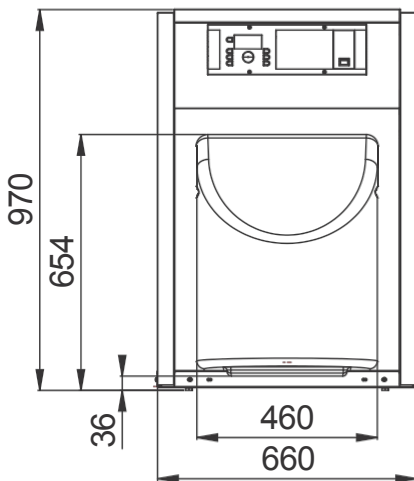


## Dimension GNTS 31

### Dimensions with door insulation panel



### Dimensions with burner hood



### Connections

- 1 Vent connection G 3/4
- 2 Heating flow G 1
- 3 Flue gas connection NW 130
- 4 Heating return G 1
- 5 Drain G 1
- 6 Accessories

#### 4.4 Space requirement

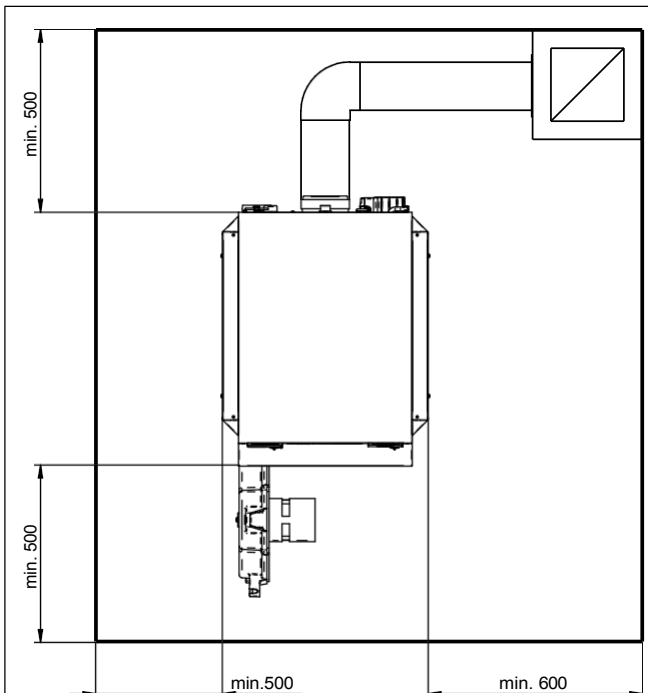
Please observe the installation instructions and planning information. Place the boiler on a boiler pedestal (accessory) or on a plinth (possibly on a low storage tank).

The ground clearance achieved in this way ensures optimum operation and adequate protection of the system.

Install the boiler close to the chimney, avoid long flue pipe lengths. Observe the specified minimum distances.

Create ventilation openings in the installation room in accordance with the applicable regulations.

##### Minimum distances in mm



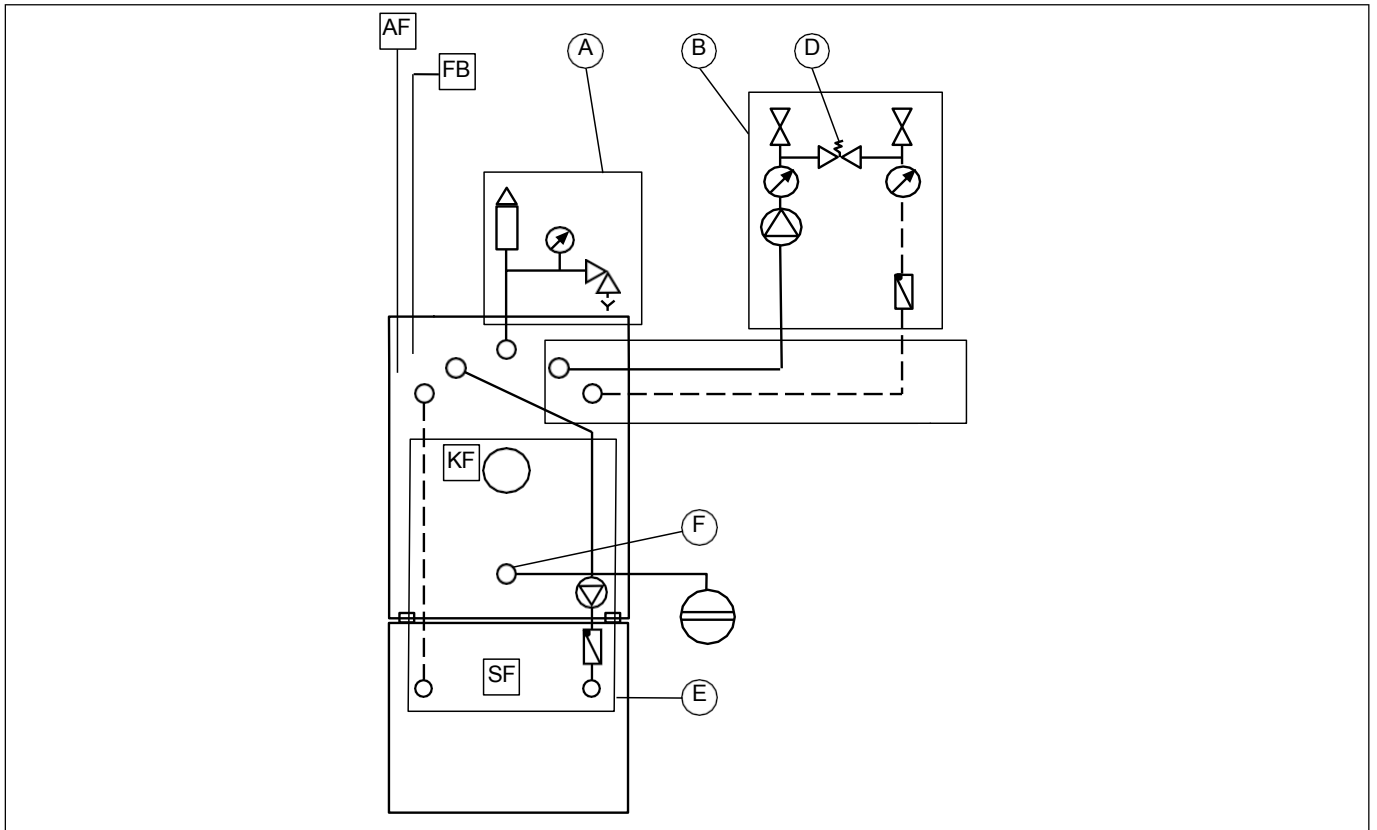
## 5 Hydraulic integration (design examples)

When installing the boiler GNTS, please also refer to the instructions in the Hydraulics chapter (page 5)

### System NT No. 1:

1 direct heating circuit Heating  
circuit controller Giematic 2M

Optionally with or without domestic hot water preparation



- A Boiler safety block
- B Heating circuit group HG-E
- D Overflow insert (to be ordered separately)
- E Charging pump set
- F Boiler KFE / MAG Group

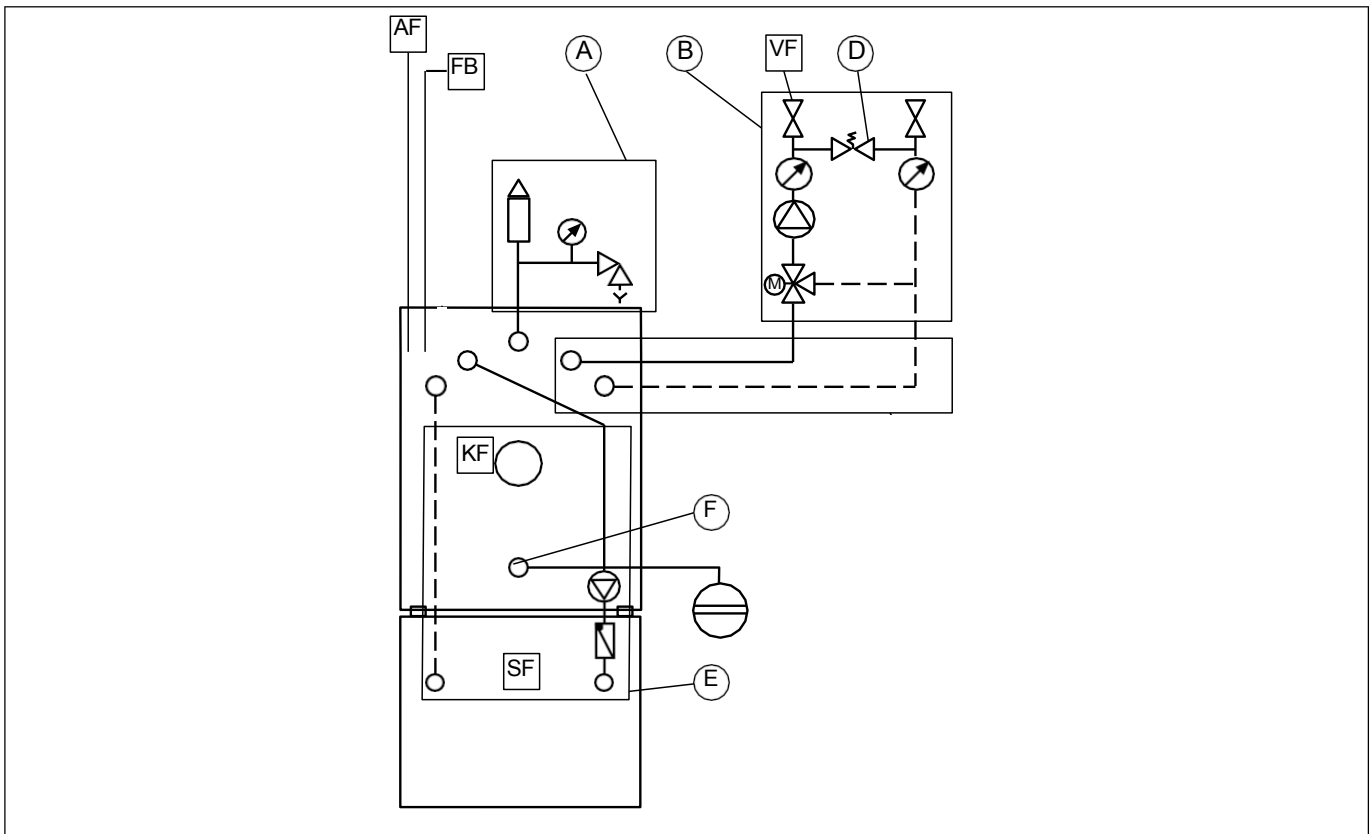
#### Sensor, remote control and room unit

- AF Outdoor sensor AF 200
- KF Boiler sensor KVT 20/2/6
- FB Room unit RS
- SF Storage tank sensor KVT 20/5/6

## System NT No. 2:

1 mixed heating circuit Heating circuit  
controller Gematic 2M

Optionally with or without domestic hot water preparation



- A Boiler safety block
- B Heating circuit group HG-ME
- D Overflow insert (to be ordered separately)
- E Charging pump set
- F Boiler KFE / MAG Group

### Sensor, remote control and room unit

- AF Outdoor sensor AF 200
- KF Boiler sensor KVT 20/2/6
- FB Room unit RS
- VF Flow sensor VF 204
- SF Storage tank sensor KVT 20/5/6

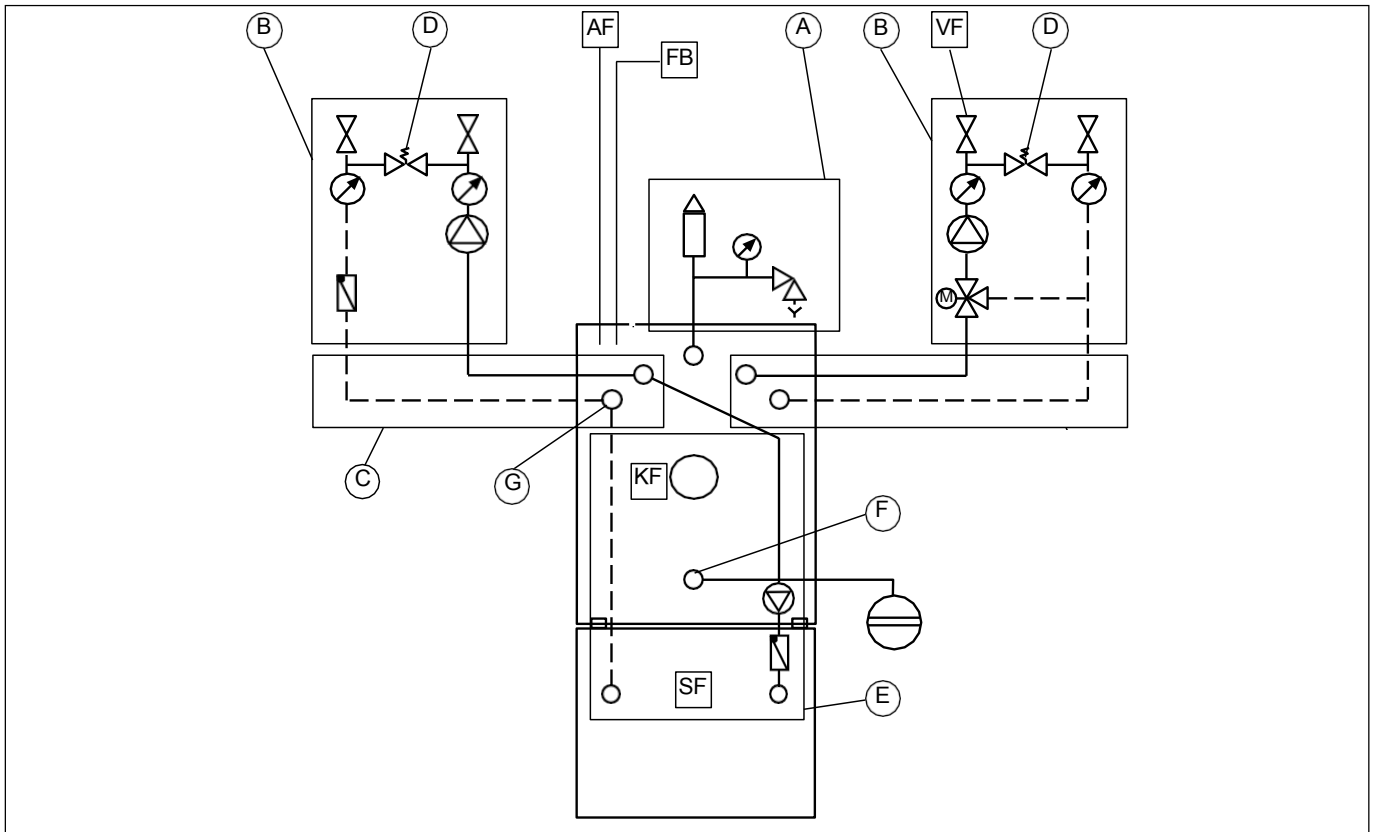
### System NT No. 3:

2 heating circuits

1 direct heating circuit and 1 mixed heating circuit

Heating circuit controller Giematic 2M

Optionally with or without domestic hot water preparation



- A Boiler safety block
- B Heating circuit group HG-ME and HG-E
- D Overflow insert (to be ordered separately)
- E Charging pump set
- F Boiler KFE / MAG Group
- G Supplementary set storage tank connection

#### Sensor, remote control and room unit

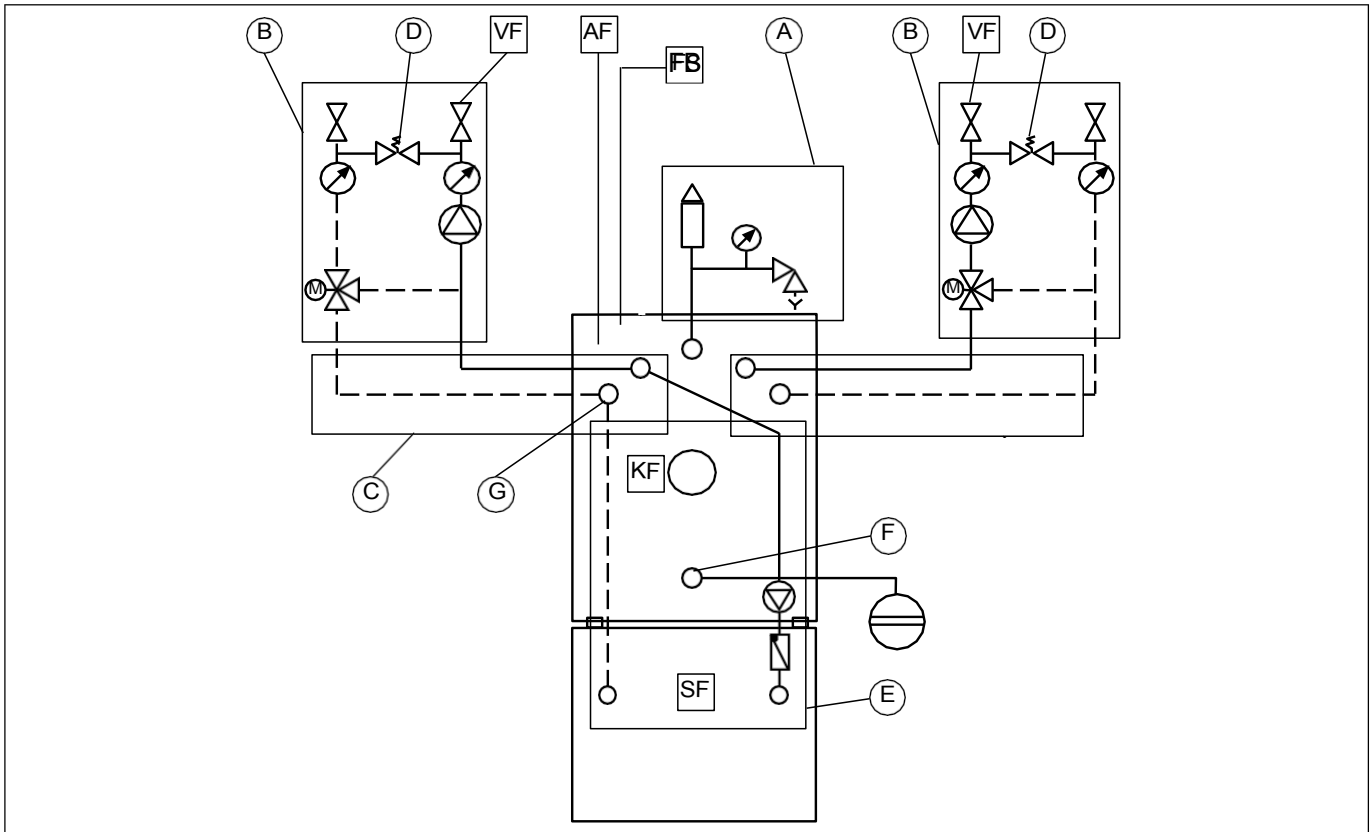
- AF Outdoor sensor AF 200
- KF Boiler sensor KVT 20/2/6
- FB Room unit RS
- VF Flow sensor VF 204
- SF Storage tank sensor KVT 20/5/6

### System NT No. 4:

2 mixed heating circuits Heating

circuit controller Giematic 2M plus

Optionally with or without domestic hot water preparation



- A Boiler safety block
- B 2 heating circuit groups HG-ME or HG-MS
- D Overflow insert (to be ordered separately)
- E Charging pump set
- F Boiler KFE / MAG Group
- G Supplementary set storage tank connection

#### Sensor, remote control and room unit

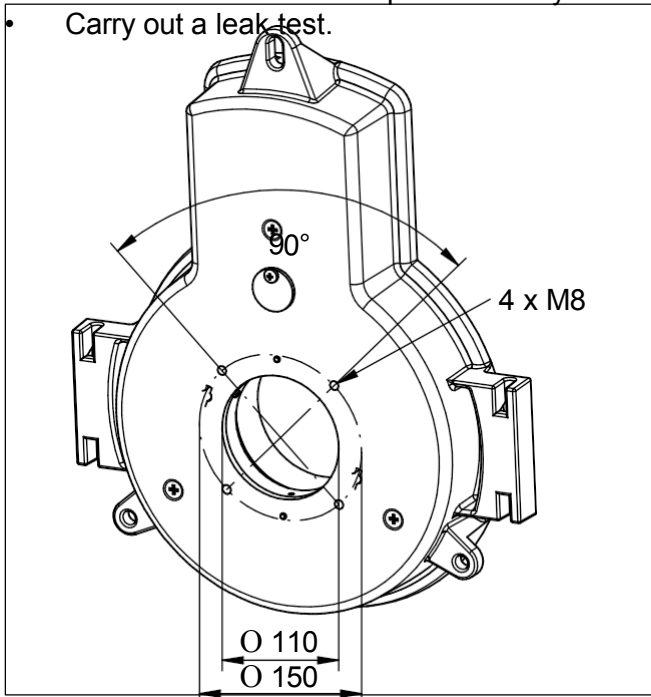
- AF Outdoor sensor AF 200
- KF Boiler sensor KVT 20/2/6
- FB Room unit RS
- VF flow sensor VT 204
- SF Storage tank sensor KVT 20/5/6

## 6 Installation

### 6.1 Burner mounting

Only burners that are certified by the manufacturer as complying with the applicable ordinance on small firing systems may be used. Burner dimensions according to DIN EN 226 for oil/gas forced draught burners (see illustration).

- Install the burner according to the burner instructions.
- Create an oil connection professionally.
- Carry out a leak test.

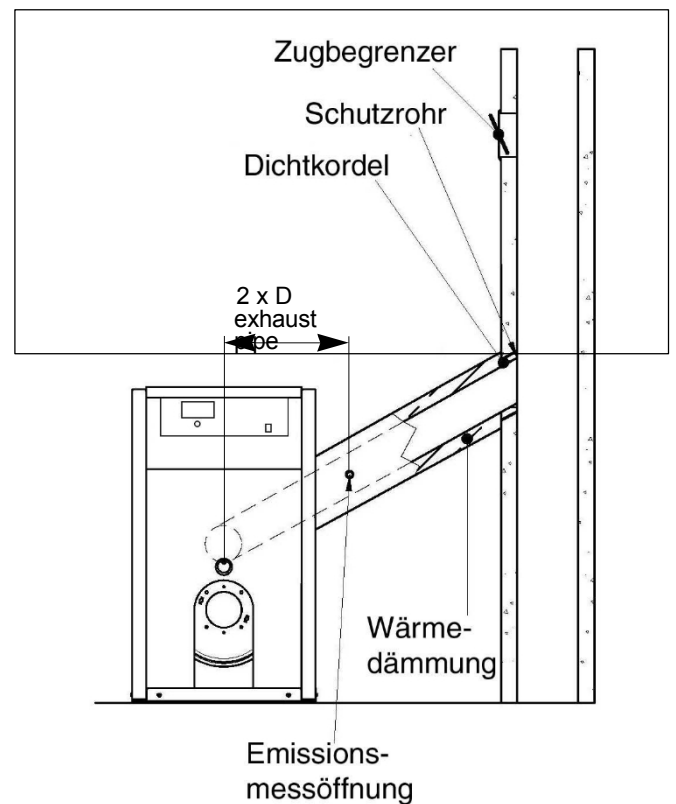


### 6.2 Flue gas connection

The flue gases must be routed outside and protected against cooling in such a way that flue gas condensation in the flue gas system cannot lead to damage. Special measures are therefore required to prevent flue gas condensation, especially when renovating old systems.

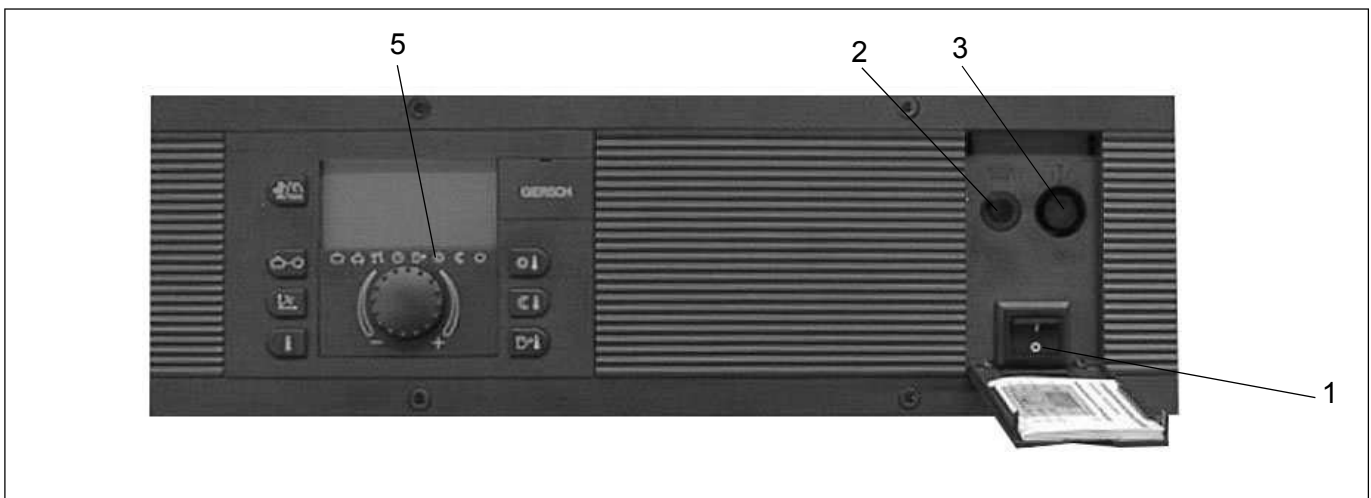
We recommend the installation of a draft restrictor for the following reasons:

- uniform flue gas system draft,
- Setting a high CO<sub>2</sub> content is possible,
- Reduction of the flue gas loss,
- good ventilation of the flue gas system,
- Protection against exhaust system sooting,
- Reduction of downtime losses.



Select the flue pipe diameter according to the diameter of the boiler flue pipe connection. Attach the flue gas pipe to the boiler flue gas connection. Lay the flue gas pipe on the shortest route with a gradient to the flue gas system - keep bends to a minimum. Provide a cleaning opening in the flue gas pipe. Insulate the flue pipe. Insert emission measuring opening  $\varnothing$  12 mm - 2x D flue pipe behind flue gas connector - close opening. Install draft restrictor.

### 6.3 Operating elements Boiler control panel



1 Mains switch

2 Fuse 6.3 A

For protecting all control and switching elements.  
To replace the fuse, turn the screw cap anti-clockwise while applying slight pressure.  
(clarify cause)



**Before replacing the fuse, the system must be disconnected from the power supply!**

3 Safety temperature limiter STB Unscrew the screw cap of the STB and press in the suppression button underneath. After fault clearance, refit the screw cap. (Clarify cause)

5 Weather-regulated control  
(see separate operating instructions)

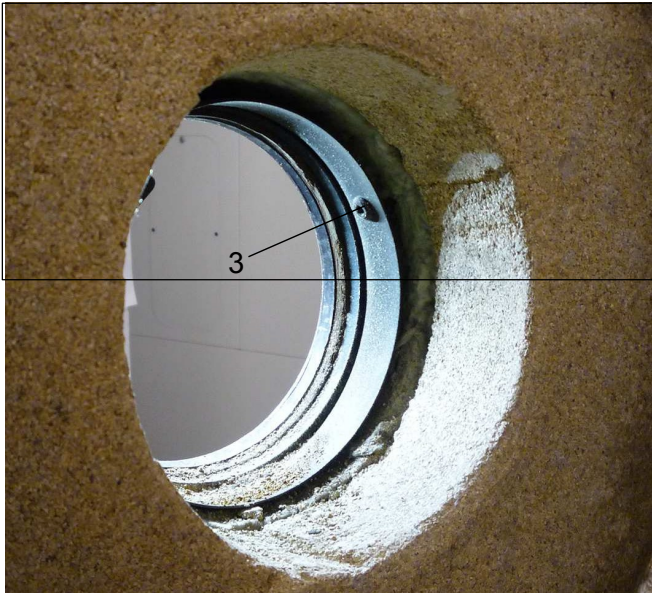


#### 6.4 Reciprocating tube installation (only for GNTS 21)

**Attention:**

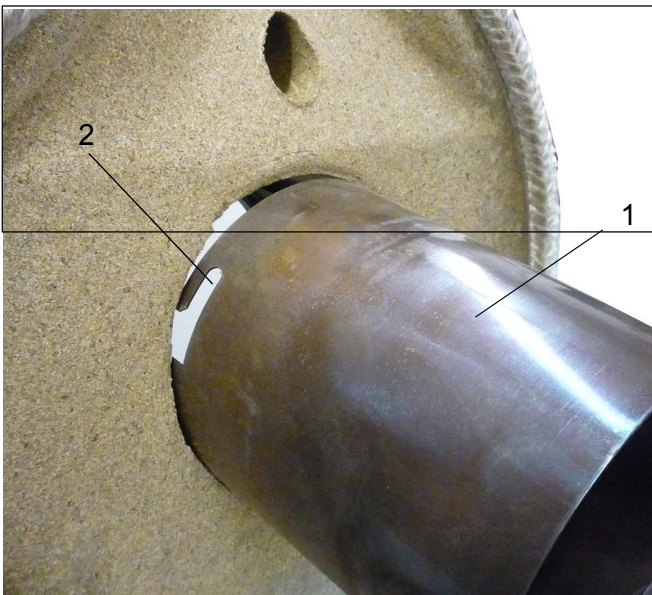
The rezi tube is optional and not included in the scope of delivery!

- Slide the rezi tube (1) with the bayonet catch (2) over the fastening rivets (3), turn anti-clockwise and lock.
- Check for tight fit.



**Attention !**

If the rezi tube does not fit into the door stone, it must be carefully cut out



## 7 Start-up

**Start-up may only be carried out by a licenced specialist company.**

- Check the pre-pressure of the membrane pressure expansion vessel - see the manufacturer's instructions.
- Make a hose connection between the filling line and the boiler filling and draining tap (on site).
- Filling and venting the system
  - Leave the circulation pump out of operation
  - Operating switch to "O".
- Check the system pressure on the pressure gauge (on site) - if necessary, fill up with water and vent the system.
- Close the boiler fill and drain valves
  - Remove the filling hose.

### Oil burner

- Check the oil supply and open the oil supply shut-off valve.
- For single-pipe systems, open the automatic air vent.

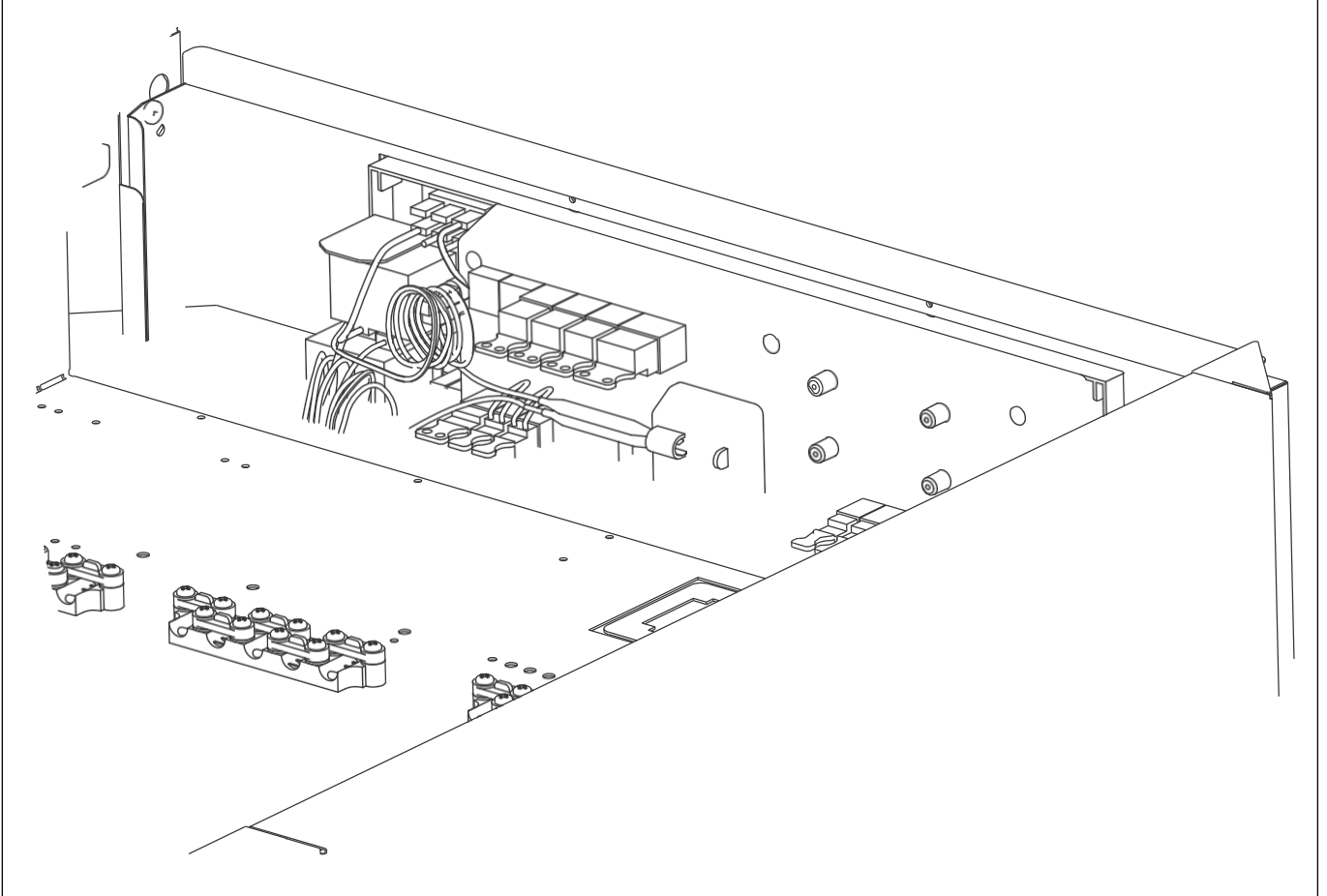
### 7.1 Commissioning

**All commissioning and installation work must be by the person who installed the system or a specialist appointed by him - create a commissioning report.**

- Check the electrical connection.
- Switch on the emergency heating switch.
- Set the operating switch to "I".
- Further operating steps and settings depend on the built-in weather-dependent control, see separate instructions.
- Boiler starts up - the starting process depends on the burner installed - delays possible, e.g. due to oil preheating.
- Adjust the burner in accordance with the burner manufacturer's instructions (separate instructions).
- Set the fuel flow rate so that the boiler is operated within the specified output range and the nominal output of the boiler is not exceeded - Check whether the flue gas system is suitable for the flue gas temperature.
- Lightly tighten the fastening screws of the burner door when warm.
- Carry out flue gas measurement.
- Complete the commissioning log.

## 7.2 Connection Boiler control panel

- Disconnect counter plugs for sensors, mains, pumps and any mixers etc. and connect the corresponding connection cable. For plug assignment, see the back of the control panel or point 7.3 page 19 "Electrical connection on the boiler control panel".

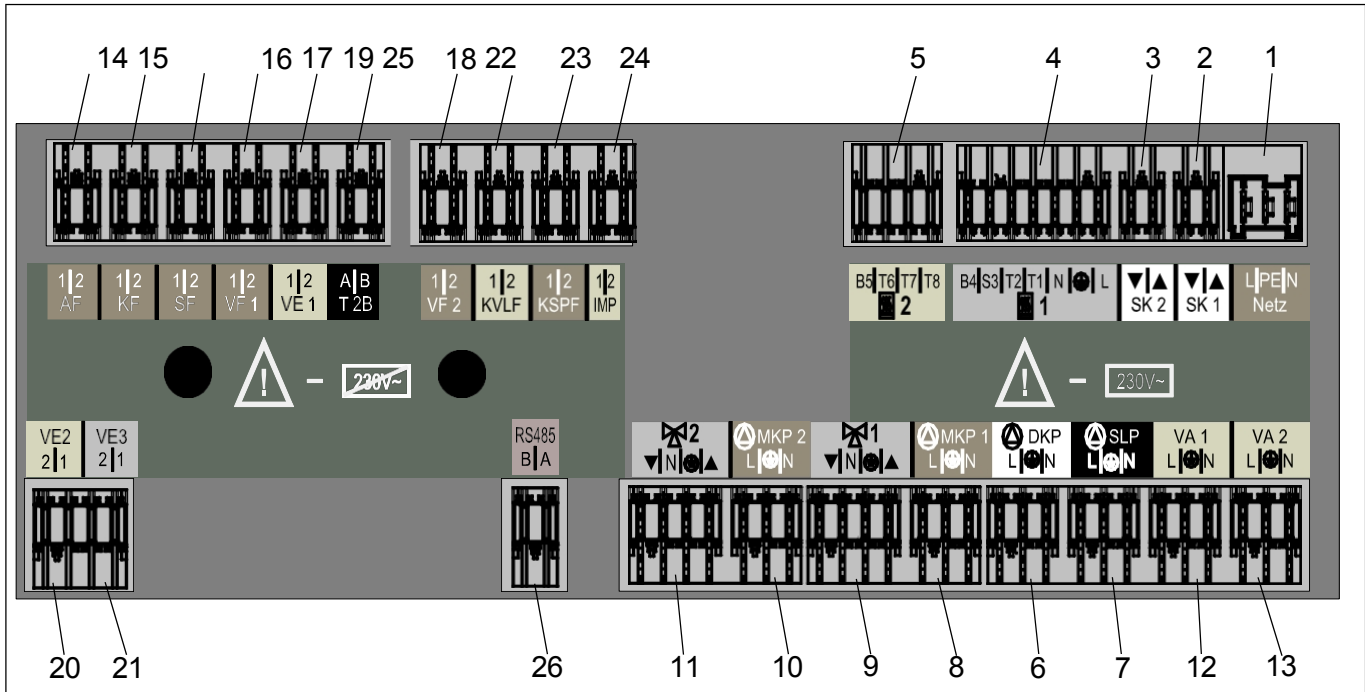


- Attach mating connector

### 7.3 Electrical connection boiler control panel



The system must be cut off from the power supply before starting work. The pipes must not touch any hot boiler parts or parts of the flue gas system.



#### Mains connection

- 01 ~Mains connection 230 V +6 / - 10%, 50 Hz
- 02 Safety chain 1 (SK1)
- 03 Safety chain 2 (SK2)
- 04 Burner connection
- 05 Burner stage 2 (not used)
- 06 Direct circuit pump
- 07 Water heater charging pump
- 08 Mixer heating circuit pump 1
- 09 Actuator mixer 1
- 10 Mixer heating circuit pump 2 <sup>2)</sup>
- 11 Actuator mixer 2 <sup>2)</sup>
- 12 Variable output 1 <sup>2)</sup>
- 13 Variable output 2 <sup>2)</sup>

#### Sensor/data bus connection

- 14 Outdoor sensor
  - 15 Heat generator sensor / boiler sensor
  - 16 Storage tank sensor
  - 17 Flow sensor mixer heating circuit1
  - 18 Flow sensor mixer heating circuit 2 <sup>2)</sup>
  - 19 Variable input 1 <sup>2)</sup>
  - 20 Variable input 2 <sup>2)</sup>
  - 21 Variable input 3 <sup>2)</sup>
  - 22 Collector flow sensor <sup>1) 2)</sup>
  - 23 Solar cylinder sensor <sup>1) 2)</sup>
  - 24 Pulse input (not used)
  - 25 Data bus connection T2B for remote control RS or remote control RFF
  - 26 Data bus connection (not used)
- <sup>1)</sup> only for solar application  
<sup>2)</sup> not for Giematic M

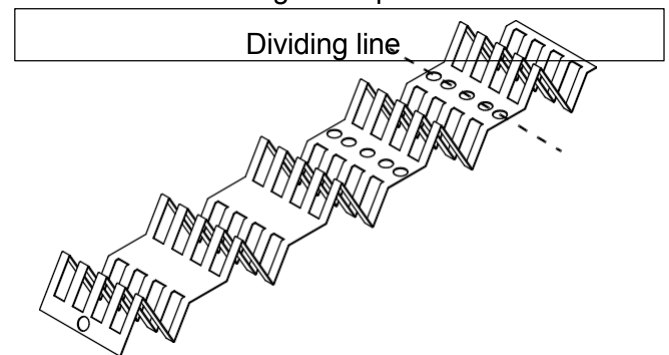
## 7.4 Requirements for the exhaust system

- The GNTS21/31 is operated with low exhaust gas losses, i.e. with a low flue gas temperature and low excess air (= high CO<sub>2</sub> content).
- When modernising a system, the output of the heat generator is often reduced in addition to reducing the flue gas losses. The lower flue gas losses, the lower flue gas mass flow and the shorter operating downtimes can lead to problems with existing flue gas systems.
- When installing modern heat generators, it is therefore always necessary to check the suitability of the flue gas system.
- In many cases, an exhaust system renovation is unavoidable. In borderline cases, the following measures can contribute to better adaptation:
  - Flue pipe routing to the flue gas system that is as short and flow-optimised as possible, avoid deflections
  - Thermal insulation of the flue gas pipes
  - Installation of a secondary-air device ( draft limiter)
- We also recommend installing an flue gas thermometer to check the flue gas temperature during operation.

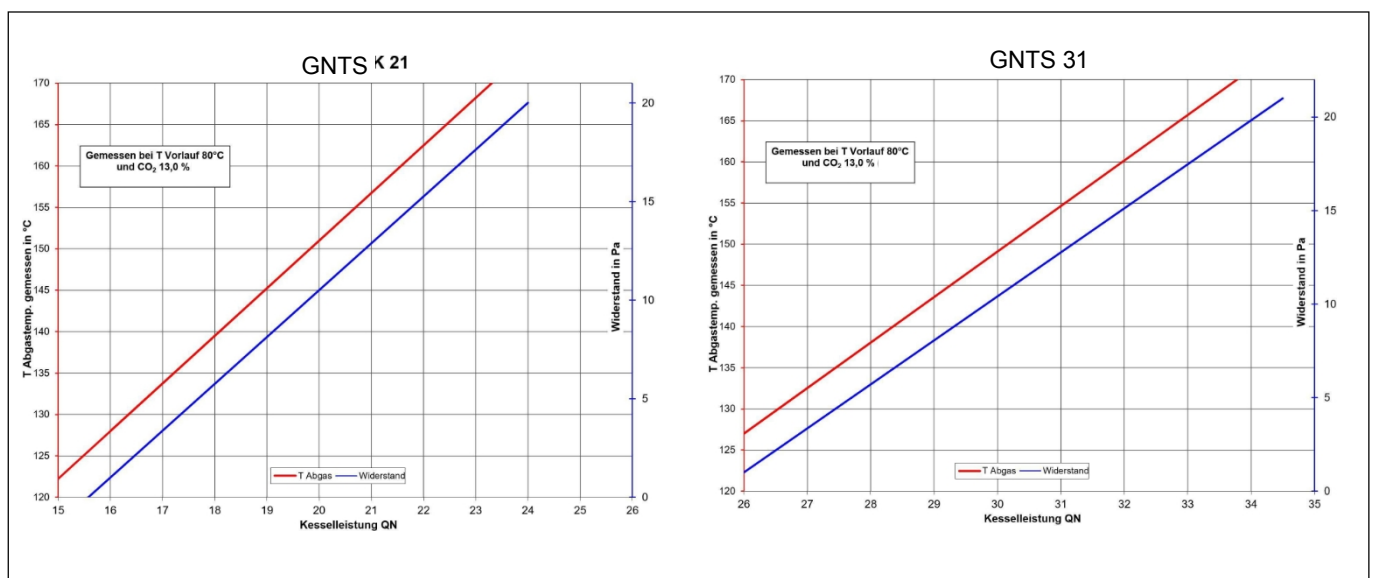
## 7.5 Adjustment of the flue gas temperature

If the flue gas temperature after commissioning is not sufficient for an existing, unrenovated chimney, the flue gas temperature can be increased by approx. 10 K by shortening the regulators.

- Disconnect the system from the power supply.
- Open the boiler door and pull out the regulators. Shorten the regulators at the dividing line shown (see illustration).
- Replace the regulators, close the boiler door and put the boiler back into operation.
- Check exhaust gas temperature.



Flue gas temperature and resistance on the heating gas side as a function of the nominal heat output



## 7.6 Design of the measuring opening



**Before measuring emissions, the flue gas pipe must be checked for leaks! If there is a leaky flue gas duct, secondary air is drawn in. This leads to an incorrect measurement (recognisable by the too low measured value of the CO<sub>2</sub> emission and soot formation) and thus to an incorrect setting of the burner. During initial commissioning, the CO content of the flue gases may be higher due to the vaporising binding agent in the boiler door insulation.**

### **Emission measurement: measuring opening in the exhaust pipe**

The arrangement of the measuring opening in the flue pipe at a distance of  $2 \times D$ .

## 8 Maintenance and shutdown

Regular maintenance of the heating unit must be carried out (once a year).

This may only be carried out by a specialist. We recommend concluding a maintenance contract. Failure to carry out maintenance increases the safety risk and optimum operation of the heater cannot be guaranteed. Only original spare parts from the manufacturer may be used.

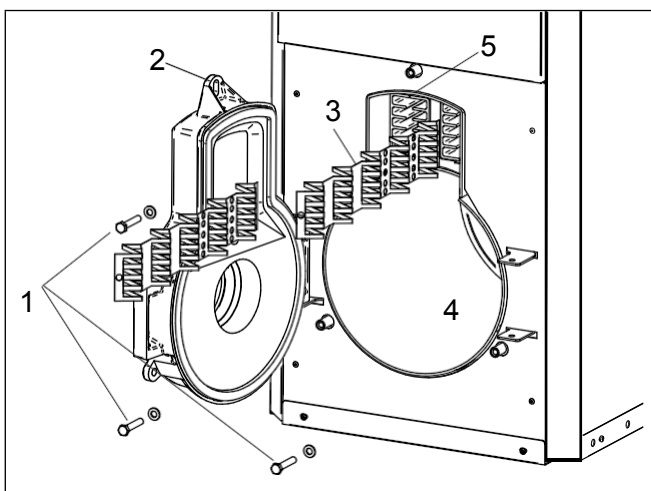
Carry out and record the flue gas measurement before maintenance - Bring the boiler to operating temperature.

### 8.1 Boiler cleaning



**Boiler cleaning may only be carried out by qualified personnel!**

- Put the boiler out of operation - switch off the operating and emergency switches and secure them against being switched on again, shut off the fuel lines.
- Loosen the screws of boiler door 1 - Swing open boiler door 2
  - If necessary, remove the boiler door with burner by pulling out the hinge rod of the door suspension.
- Remove the flue gas regulators 3.
- Clean combustion chamber 4 and secondary heating surface 5 with a cleaning brush (included in delivery) - do not use any cleaning chemicals!
- Remove dirt from the combustion chamber, secondary heating surface and flue gas pipe
  - Use a dust extractor.
- Check flue gas path for free cross-section.
- exhaust gas regulators.
- Refit boiler door.



### 8.2 Checking the system

- Put the boiler into operation.
- Check the function of all control and safety devices.
- Check for leaks on the water side.
- Check the water level
- Check the pressure expansion vessel (see separate instructions from the manufacturer).
- Check the function of the safety valve.
- Check the ventilation openings of the heating chamber.

### 8.3 Restarting

Restarting must be carried out according to the steps in the applicable documentation for the individual components burner unit, boiler GNTS and heating controller.

### 8.4 Shutting down

- Switch off the main operating and heating switch.
- Close the oil stop valve.
- If the boiler is out of operation for a longer period of time, e.g. for systems without hot water preparation outside the heating period, clean the boiler.
- If the system is taken out of operation during seasons when there is a risk of frost, drain the system and boiler properly.

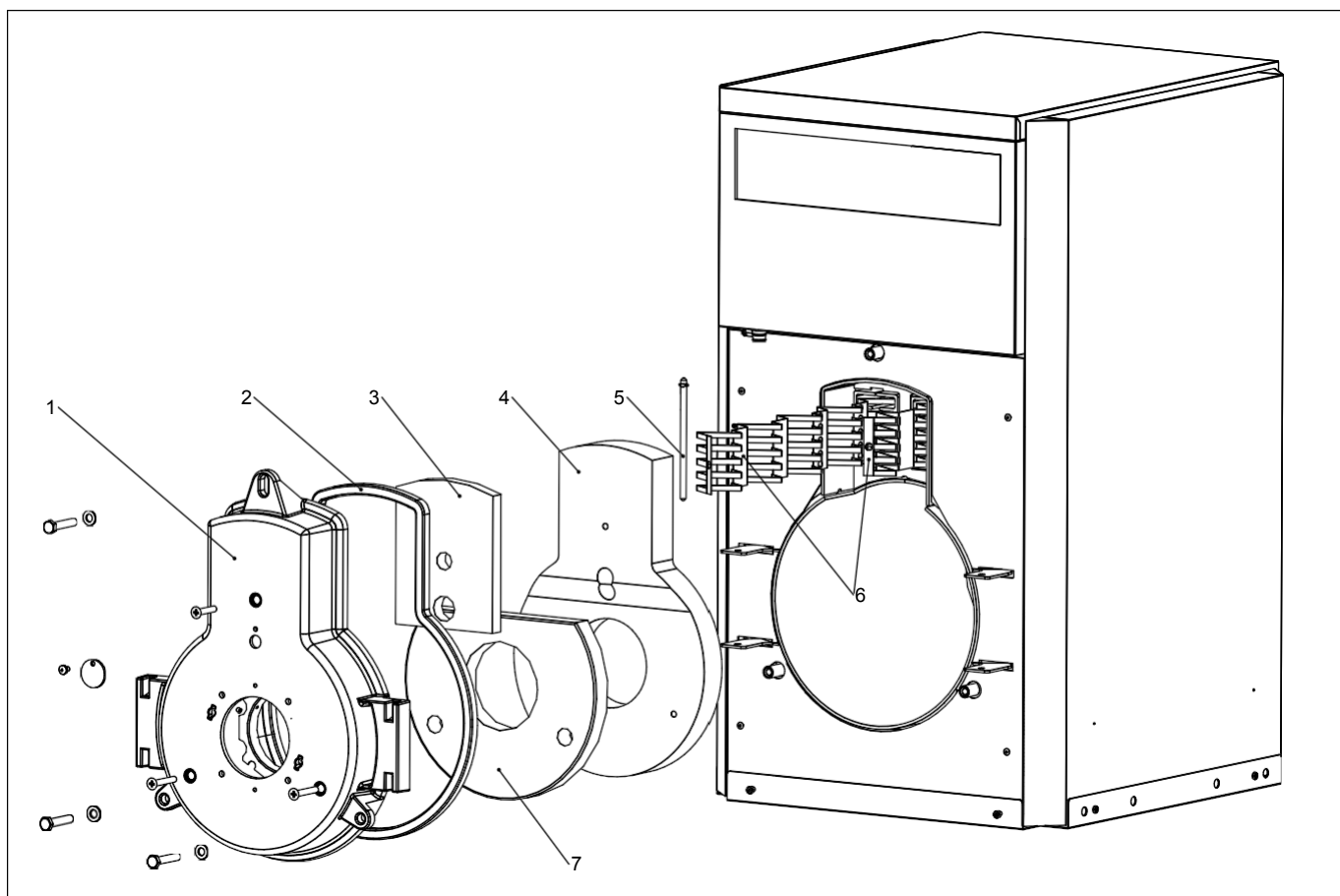
## 9 Commissioning protocol

Please tick the work carried out or enter the measured values		
Attachment		
Installation company		
Check fuel supply/feed lines, check for leaks		
Check exhaust gas routing		
Tighten burner fastening screws		
Check electrical connection		
Carry out flue gas measurement	Control	Customisation
Boiler temperature		
Exhaust gas temperature		
Room temperature		
Net exhaust gas temperature		
Measure the carbon dioxide (CO <sub>2</sub> ) content of the flue gases		
Measure the carbon monoxide (CO) content of the flue gases		
Measure soot number (Bacharach)		
Measure chimney draught		
Determine exhaust gas loss		
Carry out a functional test		
Set weather-regulated control or room thermostat		
Instruct the system operator in operation and hand over the manual		
Date/company stamp/signature		



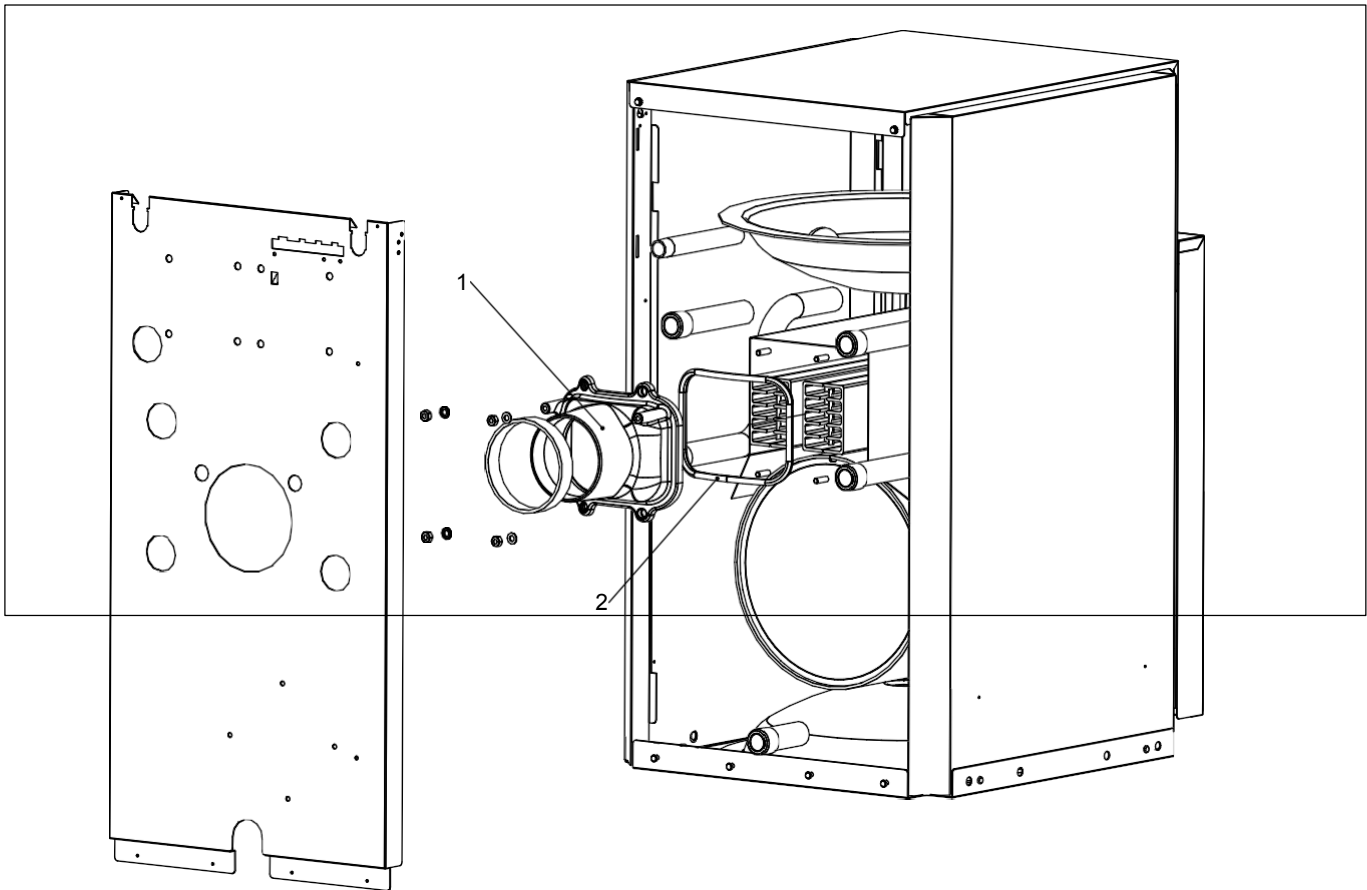
## 10 Exploded view drawing / spare parts list

### 10.1 Functional components



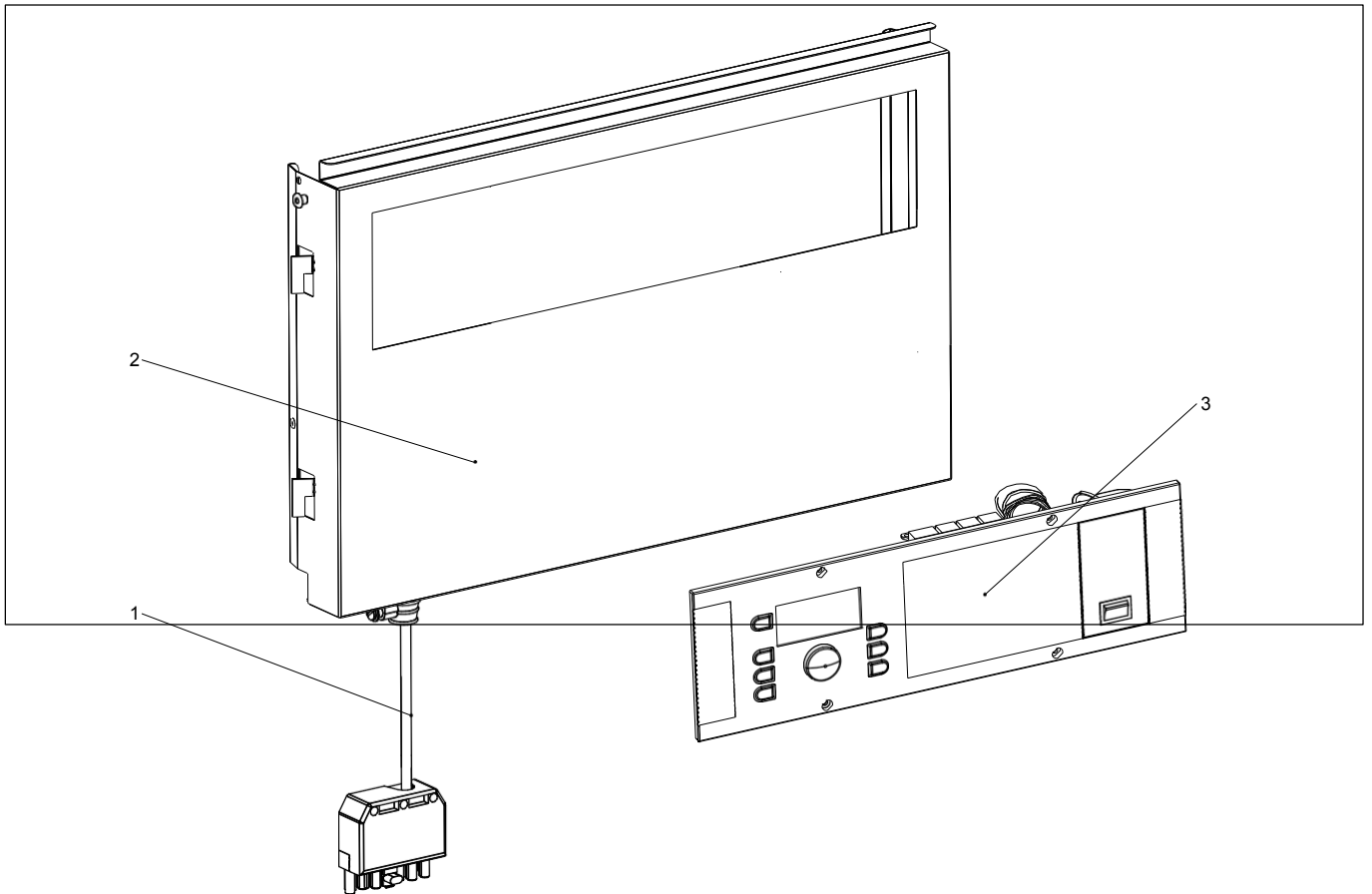
Position	Art. No.	Designation
1	03-90-25314	Boiler door, painted for GNTS 21
1	03-90-34542	Boiler door, painted for GNTS 31
2	03-90-25313	Sealing cord for GNTS 21
2	03-90-34541	Sealing cord for GNTS 31
3	03-90-25311	Door insulation, top for GNTS 21
4	03-90-25310	Door stone for GNTS 21
4	03-90-34538	Door stone for GNTS 31
5	03-90-25315	Hinge rod for GNTS 21/31
6	03-90-32686	Exhaust gas regulator for GNTS 21
6	03-90-34543	Exhaust gas regulator for GNTS 31
7	03-90-25312	Door insulation, bottom for GNTS 21
7	03-90-34540	Door insulation, bottom for GNTS 31
-	03-90-55252	Recirculation insert for boiler door for GNTS 21
-	47-90-12655	Rezi attachment R1-LN-K65 for GNTS 21

## 10.2 Boiler-specific components



Position	Art. No.	Designation
1	03-90-25318	Exhaust gas box for GNTS 21
1	03-90-34545	Exhaust gas box for GNTS 31
2	03-90-25319	Gasket, exhaust box for GNTS 21
2	03-90-34546	Gasket, exhaust box for GNTS 31

### 10.3 Switch panel components

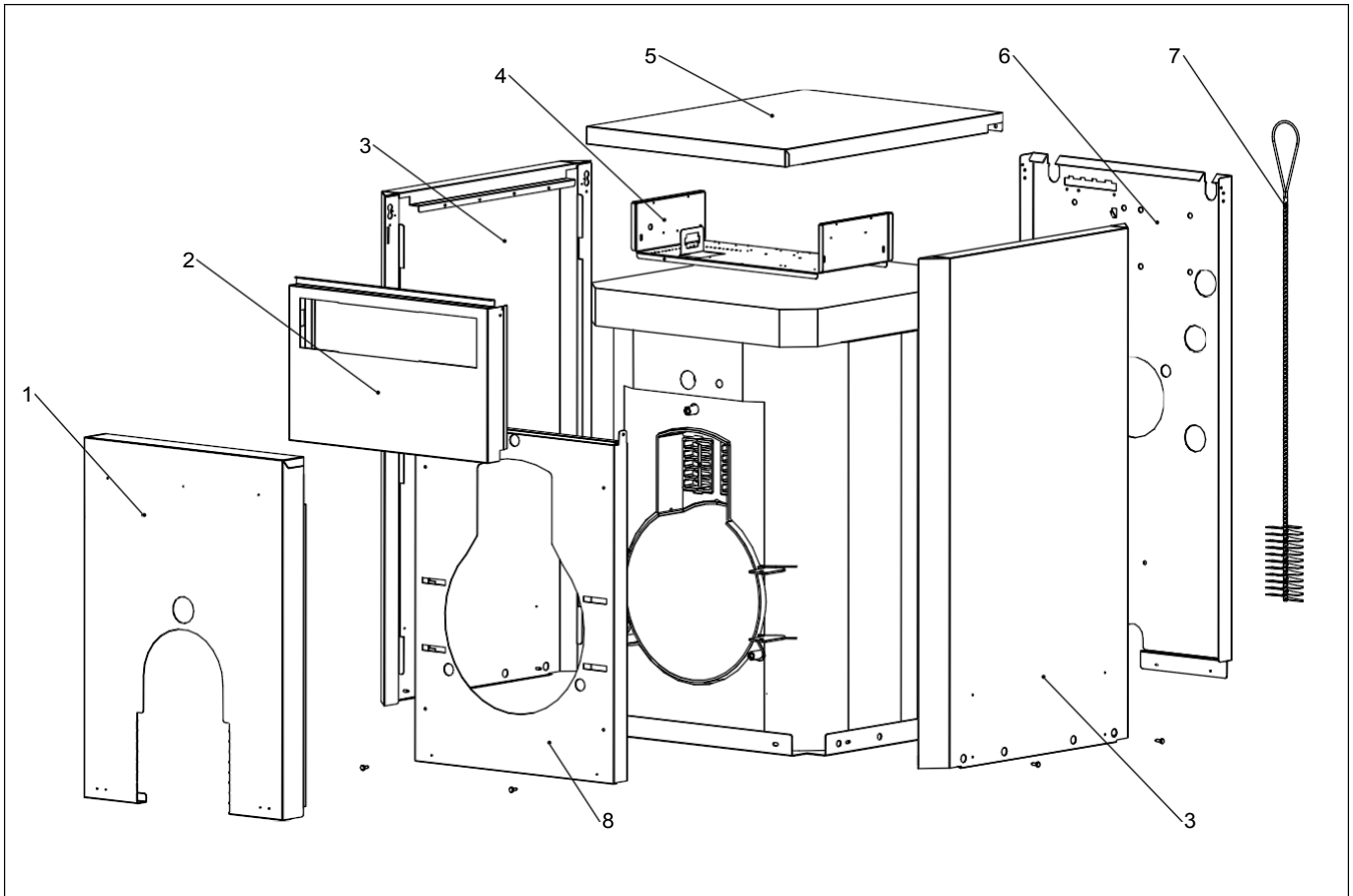


Position	Art. No.	Designation
1	07-90-52456	Sensor and burner cable accessory set
2	03-90-36425	Switch panel panelling for GNTS 21
2	03-90-36426	Switch panel panelling for GNTS 31
3	07-10-53779	Giematic 2M
3	07-10-53375	Giematic 2M Plus

### Accessories Controls and sensor installation kits

Position	Art. No.	Designation
-	07-10-52105	Outdoor sensor AF200
-	07-10-52244	KVT 20/5/6 storage tank/buffer sensor
-	07-10-52268	Flow sensor VF 204 B
-	07-10-52157	Sensor boiler KVT 20/2/6 (KF)
-	07-10-52117	Remote control RFF Theta
-	07-10-52230	Remote control RS-L

## 10.4 Cladding components



Position	Art. No.	Designation
1	03-90-32654	Front panelling, insulated for GNTS 21
1	03-90-34552	Front panelling, insulated for GNTS 31
3	03-90-32023	Side panel right/left for GNTS 21
3	03-90-34548	Side panel right/left for GNTS 31
4	03-90-32691	Mounting bracket connection for GNTS 21
4	03-90-34553	Mounting bracket connection for GNTS 31
5	03-90-32694	Lid for GNTS 21
5	03-90-34550	Lid for GNTS 31
6	03-90-32693	Rear panel for GNTS 21
6	03-90-34549	Rear panel for GNTS 31
7	03-90-11350	Cleaning brush for GNTS 21/31
8	03-90-32692	Front cover for GNTS 21
8	03-90-34551	Front cover for GNTS 31

## 11 Declaration of Conformity

# GIERSCH

### EC Declaration of Conformity

Manufacturer: Enertech GmbH  
Burners and heating systems

Address: Adjutantenkamp 18  
D-58675 Hemer

Type, design: Low-temperature boiler GNTS 21  
Low-temperature boiler GNTS 31

We declare as manufacturer:  
The correspondingly labelled products fulfil the requirements of the listed directives and standards.

The products comply with DIN EN 303-1:2017 and DIN EN 303-2:2017 The

products therefore fulfil the requirements of the following EU directives

<b>Efficiency Directive</b>	92/42/EC
Low Voltage Directive	
2014/35/EU EMC Directive	
2014/30/EU	
ErP Directive	2009/129/EC

Denominator, Jan 1 04.Z021

Jens "Kater"



All information specified in this technical document as well as the drawings, photos and technical descriptions provided by us remain our property and may not be reproduced without our prior written authorisation.

Subject to change without notice.

---

The logo for Giersch features a stylized green leaf above a large, bold, dark grey letter 'G'. To the right of the 'G', the word 'IERSCH' is written in a bold, dark grey, sans-serif font.

Enertech GmbH - Burners and heating  
systems Adjutantenkamp 18 - D-58675  
Hemer - Phone 02372/965-0 - Fax  
02372/61240

e-mail: [info@giersch.de](mailto:info@giersch.de) - Internet: <http://www.giersch.de>

