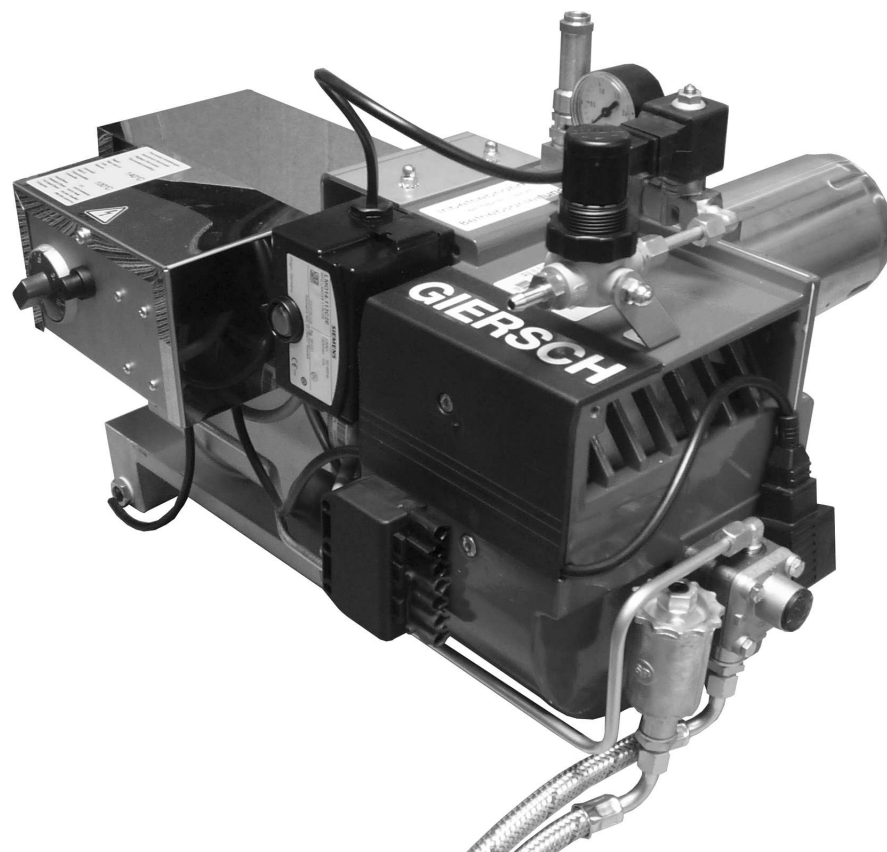


# Universal Oil Burner GU20

Oil

December 2022 edition

In the interests of continuous product improvement, technical specifications are subject to change without prior notice.



---

## Contents

1.	General information .....	3
2.	Checking scope of supply and electrical ratings .....	3
3.	Operating instructions .....	3
4.	Instruction .....	3
5.	Maintenance and customer service .....	3
6.	Technical specifications .....	4
7.	Functional description .....	4
8.	Air/oil flow schematic.....	4
9.	Installing flange and burner.....	5
10.	Connecting to power supply.....	5
11.	Compressed air connection .....	5
12.	Oil pump.....	6
13.	Installing the oil line.....	6
14.	Setting the ignition electrodes.....	6
15.	Control unit LMO.....	7
16.	Table of settings .....	9
17.	Settings for primary airflow .....	10
18.	Combustion air flow rate .....	10
18.	Flue connection.....	11
19.	Flue gas thermometer.....	11
20.	Maintenance .....	11
21.	Wiring diagram.....	12
22.	Possible errors .....	13
23.	Exploded view drawing / parts list.....	14
24.	Burner dimensions / boiler connecting dimensions.....	16
25.	Operating range .....	16

## 1. General information

An oil-fired system must be installed in compliance with a number of regulations and requirements. It is therefore the duty of the installer to be familiar with all applicable regulations and requirements. Installation, start-up and maintenance must be performed with utmost care.

The burner must not be operated in rooms with high levels of air humidity (laundry rooms), dust or corrosive vapours.



**The burner series is certified according to EN 267 for fuel and colza oil.**

**Operation with other combustibles, especially highly combustible liquids as thinner, petrol, alcohol and corresponding composites, as well as brake fluid and antifreeze mixture, is not allowed.**

**Composites made up of high- and low viscosity liquids could separate .**

**Danger of autoignition !**

**Danger of injury !**

**Danger of material damage !**

**The use of flammable liquids with solid-sludge- or water content causes malfunction and breakdowns. The design and degree of protection of the burner make it suitable for operation in enclosed rooms.**

## 2. Checking scope of supply and electrical ratings

Before installing the GIERSCH universal oil burner please check the items supplied for completeness.

Scope of supply:

burner, mounting unit, separate operating instructions, technical information, flange seal.



**Near wear-free compressed air atomising nozzles are pre-fitted at the factory.**

## 3. Operating instructions

This technical information should be displayed in a visible position in the boiler room as operating instructions. It is essential to write the address of the nearest customer service centre in the operating instructions.



**Caution !**

**Improper installation, adjustment, modification, operation or maintenance may result in physical injury or damage to property/equipment. Read the instructions prior to use.**

**This product must be installed in accordance with the applicable regulations (e.g. DIN-VDE).**

## 4. Instruction of operating personnel

Faults are often caused by operator error. The operating personnel must be properly instructed in how the burner works. In the event of recurring faults, Customer Service should be notified.

## 5. Maintenance and customer service

The complete system should be checked once a year for proper functioning and leak tightness by an authorised representative of the manufacturer or by another expert. We accept no liability for consequential damage in cases of incorrect installation or repair, the fitting of non-genuine parts or where the equipment has been used for purposes for which it was not intended.



**Caution!**

**For maintenance and service work, the burner must be switched off!**

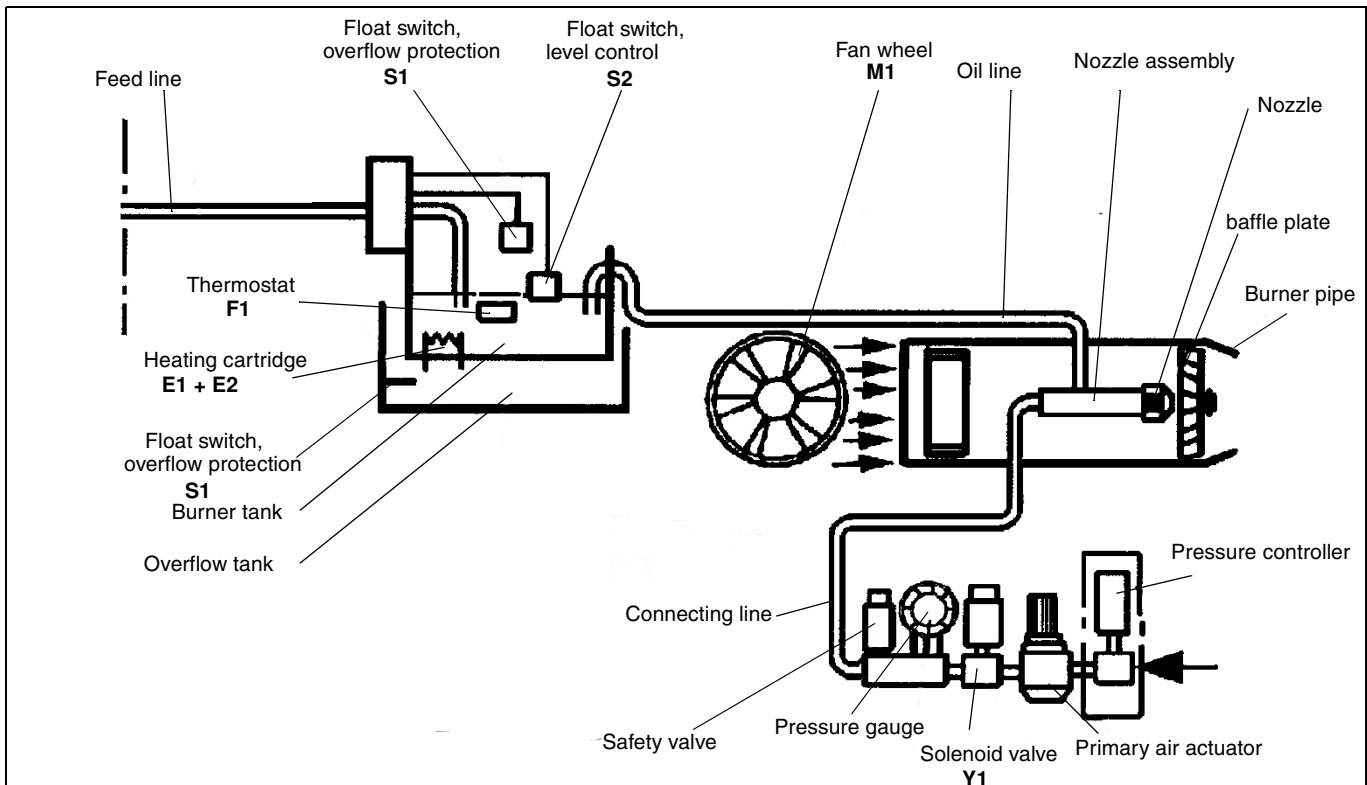
## 6. Technical specifications

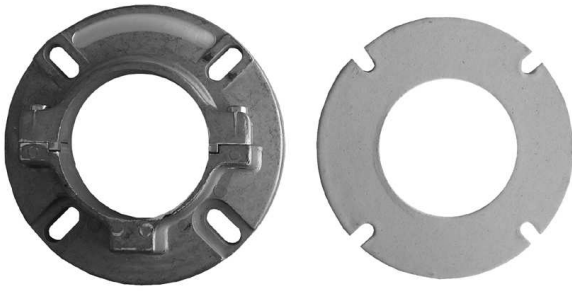
		Burner type	
Technical specifications		GU20	
Output, fuel oil	kW	33 - 52	
Oil throughput, fuel oil	kg/h	2.8 - 4.4	
Output, rapeseed oil	kW	27 - 40	
Oil throughput, rapeseed oil	kg/h	2.7 - 4.0	
Compressor output	m <sup>3</sup> /h	4	
Primary air connection	bar	0.4-0.8	
Motor output	W	90	
Heating element	W	1100	
Voltage		1/N/PE ~50 Hz 220 - 240 V	
Weight	kg	20	
Emission class fuel oil		2	
Emission class rapeseed oil		1	
NO <sub>x</sub> limit fuel oil		< 185 mg/kWh	
NO <sub>x</sub> limit rapeseed oil		< 250 mg/kWh	

## 7. Functional description

The fuel is pumped out of the supply tank and into the burner tank. A float switch controls the level inside the burner tank. Another float switch (overflow protection) serves as a limiter, which switches to fault if the tank is overfilled. A thermostat regulates the oil temperature in the burner tank and starts the burner when the set temperature is reached. Thereafter, the automatic oil burner control system controls and monitors the operation of the burner. Fuel is aspirated and finely atomised by a special nozzle using the compressed air flowing through the burner, which is used as primary air for the combustion process. The burner blower supplies the secondary air which is added to the atomised spray at the baffle plate. This ensures full combustion and operational reliability. At the oil temperature in excess of 150° C, the safety switch automatically de-energises the burner.

## 8. Air/oil flow schematic





## 9. Install flange and burner

Attach the burner flange and the seal to the heat generator.

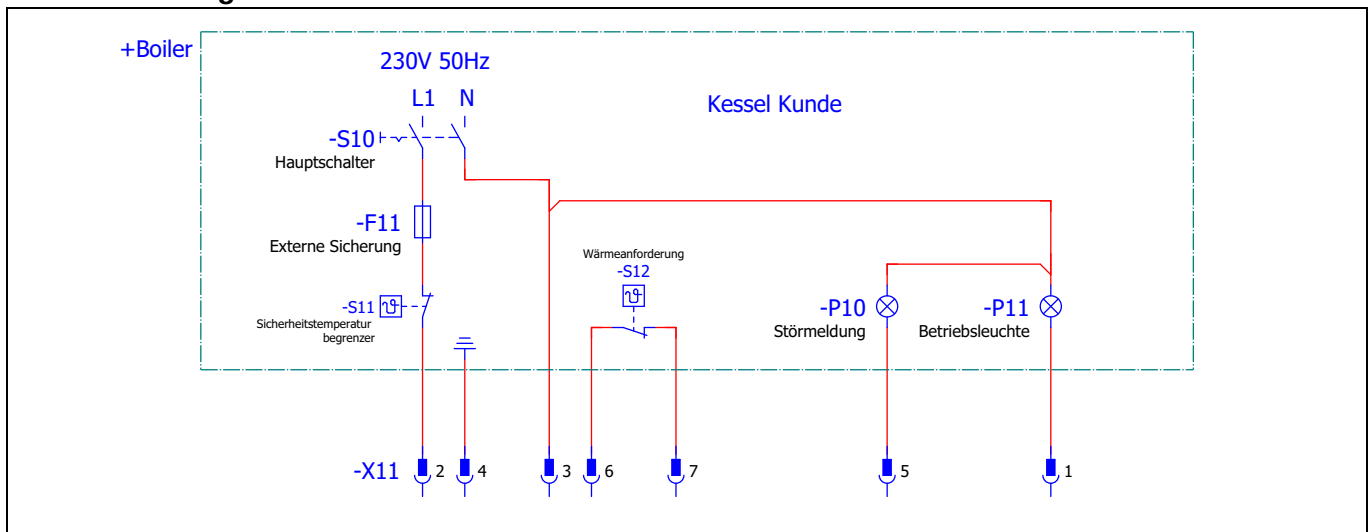
## 10. Connect to power supply

- Connect the burner to the power supply using the supplied connector unit as indicated in the wiring diagram.
- HEED LOCAL REGULATIONS !
- Use flexible wiring.

### Overcurrent protection configuration

The overcurrent protection devices must be rated for the electrical current range indicated in the technical specifications and to provide protection against electrical shock according to DIN IEC 60364-4-41 (VDE 0100-410).

### Connection diagram



## 11. Compressed air connection

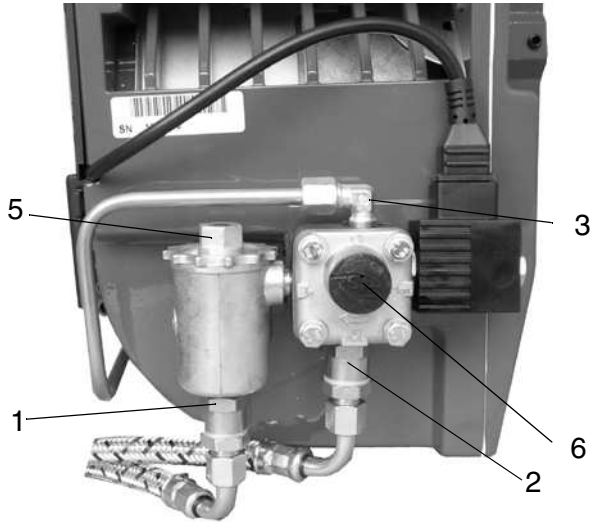
Connect a compressed air line to the pressure regulator (1).



## 12. Oil pump

The oil pumps serve as delivery units, pumping oil into the burner tank. The atomisation of the oil is not dependent on the oil pressure.

Oil pump:



- ① = feed
- ② = return
- ③ = pressure pipe connection
- ④ = pressure measuring connection
- ⑤ = vacuum measuring connection
- ⑥ = pressure adjustment

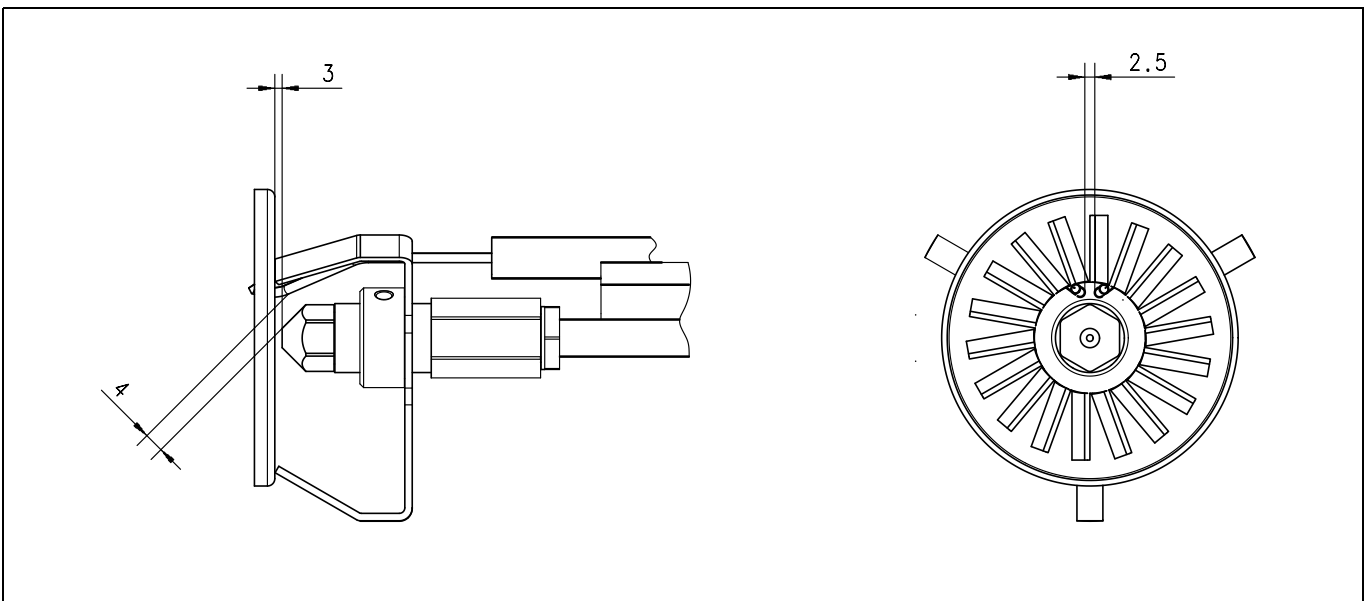
## 13. Installing the oil line

Install oil lines, filters and floating suction unit from the supply pump to the supply tank.

For installation in the open air or on outside walls, the lines must be specially insulated or fitted with additional pipe heaters, as otherwise the water contained in the oil will freeze causing the oil to become highly viscous.

## 14. Setting the ignition electrodes

The ignition electrodes are preset. The specified dimensions (Fig.) are for checking purposes.





## Function testing the control unit

### Diagnostics of the cause of fault

After lockout, the red fault signal lamp remains steady on. In that condition, the visual diagnostics of the cause of fault according to the error code table can be activated by pressing the lockout reset button for more than 3 seconds. Pressing the reset button again for at least 3 seconds, the interface diagnostics will be activated. Interface diagnostics works only if the AGK20... lockout reset button extension is not fitted. If, by accident, interface diagnostics has been activated, in which case the slightly red light of the signal lamp flickers, it can be deactivated by pressing again the lockout reset button for at least 3 seconds. The instant of switching over is indicated by a yellow light pulse.

### Error code table

Red blink code of signal lamp (LED)	„AL“ at term. 10	Possible cause
2 x blinks	ON	No establishment of flame at the end of «TSA» - Faulty or soiled fuel valves - Faulty or soiled flame detector - Poor adjustment of burner, no fuel - Faulty ignition equipment
3 x blinks	ON	Free
4 x blinks	ON	Extraneous light on burner startup
5 x blinks	ON	Free
6 x blinks	ON	Free
7 x blinks	ON	Too many losses of flame during operation (limitation of the number of repetitions) - Faulty or soiled fuel valves - Faulty or soiled flame detector - Poor adjustment of burner
8 x blinks	ON	Time supervision oil preheater
9 x blinks	ON	Free
10 x blinks	OFF	Wiring fault or internal fault, output contacts, other faults

During the time the cause of fault is diagnosed, the control outputs are deactivated burner remains shut down.

The diagnostics of the cause of fault is quit and the burner switched on again by resetting the burner control. Press the lockout reset button for about 1 second (<3 seconds).

### Flame monitor with Flame detector QRB



The flame detector is used for monitoring of burning oil flames and for ignition spark.

Trouble-free burner operation is ensured only when the intensity of UV radiation at the detector's location is high enough for the detector's UV cell to ignite during each half wave.



**Operability check:**

A safety check of the flame failure system must be carried out when the appliance is first commissioned and after any inspections or long periods of inactivity.

**Start-up test with flame detector covered:**

After expiry of the safety period, the burner should perform a safety cut-out.

**Start-up test with flame detector illuminated:**

After approx. 20 s of pre-aeration the burner must go over to fault.

**Standard. Startup; if burner in operation, darken the flame detector:**

Attempt startup again, at the end of the safety time the burner must go over to fault.

**16. Adjustment table**

The values given in the table are only setting values for start-up. The system settings required in each case must be redefined if values such as boiler output, calorific value and altitude deviate. **Adjustment is required in any case (due to the system design).**

- For initial start-up, fill the burner tank up to the oil mark by hand.

**Caution !**

If the oil level is too high, the float switch will switch off the burner.

If the oil level is too low, the heating cartridge will become encrusted or damaged.

**Adjustment table for rapeseed oil**

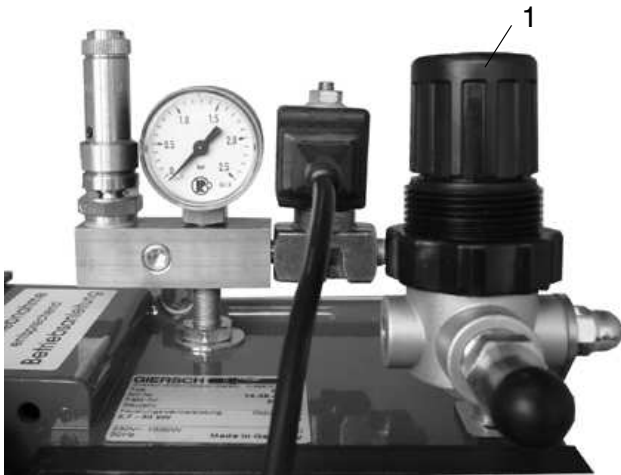
Burner type	GU20				
Output in kW	30	35	37	40	42
Oil throughput in kg/h	2.8	3.3	3.5	3.8	3.9
Primary air in bar	0.3	0.4	0.5	0.6	0.7
Secondary air (scale on air damper)	7.0	11.0	12.5	14.0	14.5
Thermostat setting in °C	140				

**Adjustment table for fuel oil**

Burner type	GU20				
Output in kW	33	38	43	47	50
Oil throughput in kg/h	2.8	3.2	3.6	3.9	4.2
Primary air in bar	0.2	0.3	0.4	0.5	0.65
Secondary air (scale on air damper)	8.0	12.0	16.0	19.0	23.0
Thermostat setting in °C	0° do not heat				

The thermostat on the burner tank must be set to between "min." for heating oil EL and 140°C for rapeseed oil, depending on the viscosity of the oil.

## 17. Settings for primary airflow



The primary airflow should be set using the pressure regulator (1) according to the required burner output. The information given in the diagram can be used as guide values.  
Higher-viscosity fuels require higher air pressures.

## 18. Combustion air flow rate



Undo screw (1) using Allen key (size 4) and remove cover.



Setting the combustion air flow rate (2).

Ideal values:

- Soot index according to Bacharach <1
- O<sub>2</sub> = 4 - 5%

The CO<sub>2</sub> values of a commercially available measuring instrument can only be used for processing the combustion process for heating oil EL.

Flue gas temperature according to the operating instructions of the heat generator.

## 19. Flue connection

The prerequisite for perfect operation of the furnace is a correctly dimensioned flue.

Dimensioning is effected in accordance with DIN 4705 in consideration of DIN 18160 and based on the boiler and burner outputs.

For operation on a sliding basis, provide flues as per DIN 18160 part, group 1. The flue gas mass flow of the total rated heat output must be factored into the calculation. The effective flue height is counted from burner level. Furthermore, we refer you to the statutory building regulations of the individual German federal states.

Select a flue design which minimises the danger of condensation or of a cold flue inner wall.



**For exact adjustment and stabilisation of the flue draught we recommend the installation of a draught limiter.**

Thus:

- any draught fluctuations are equalised
- moisture in the flue is largely excluded
- stoppage losses are reduced.

Connection pieces should be introduced into the flue with a gradient of 30° or 45° viewed in flow direction. It is best to provide flue gas pipes with thermal insulation.

## 20. Flue gas thermometer

For flue gas temperature monitoring the heating system should be equipped with a flue gas thermometer. The higher the flue gas temperature, the greater the flue gas loss.

Rising flue gas temperatures indicate increasing deposits that will reduce the degree of combustion efficiency. In the event of an increasing flue gas temperature have the heating installation cleaned and readjusted by a skilled person.

## 21. Maintenance

**Depending on the quality of the oil used, we recommend the following maintenance intervals:**

**After more than 3 days downtime:**

- drain off residual water and sludge through the water drain cock in the burner tank,

**Monthly:**

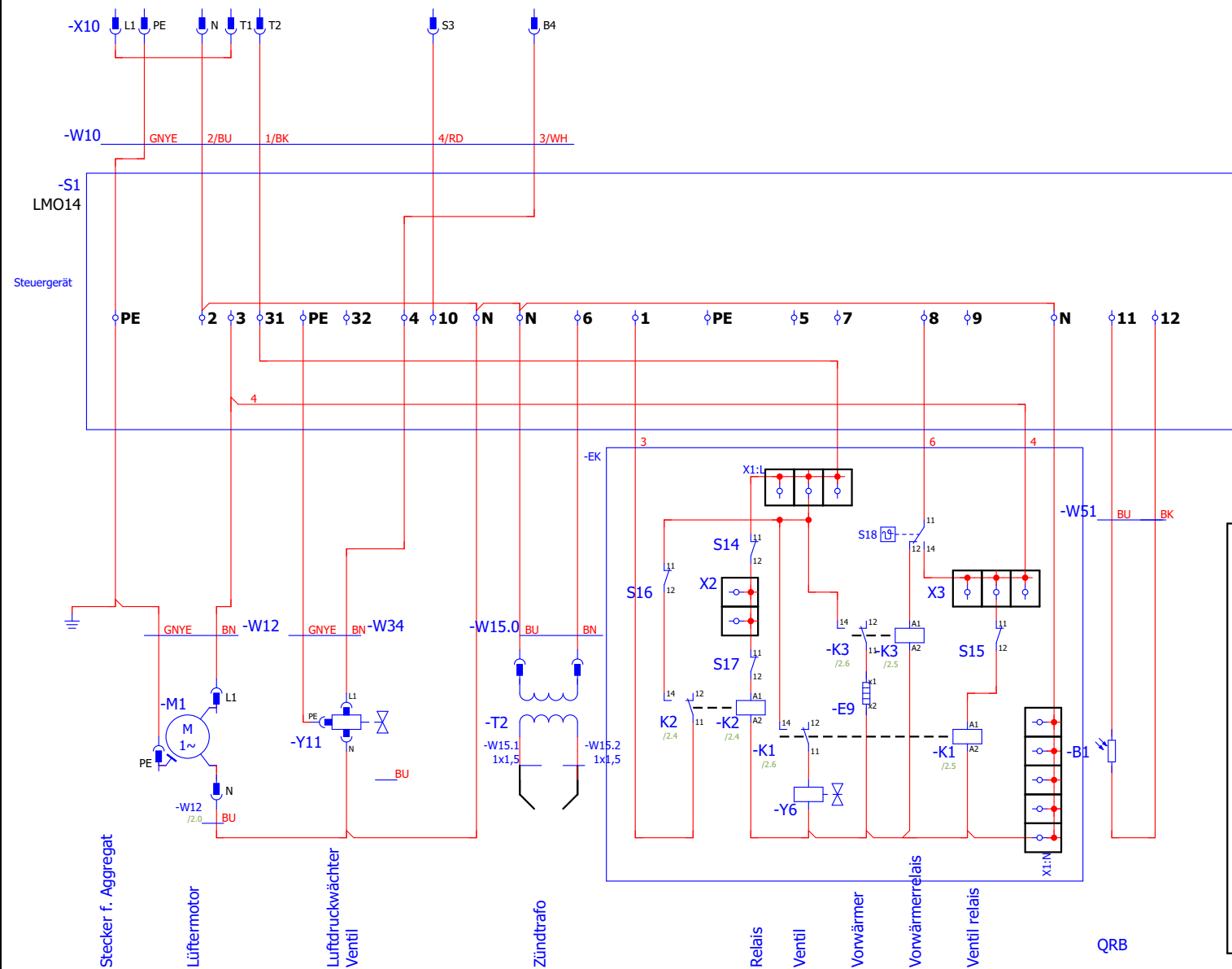
- Clean the filter in the supply tank or the unit tank and strainer on the floating suction unit
- Remove and clean the feed pump filter
- Remove sludge and residual water from the supply tank or unit tank
- The quantity can be determined by using water indication paste and a gauging rod
- Clean the photocell
- Clean the ignition electrode and baffle plate and blow out the nozzle with compressed air, check the spacing between the ignition electrodes (refer to checking dimensions for ignition electrodes)

**Annually (before or after the heating period):**

- Carry out monthly maintenance as described
- Clean the heating cartridges in the burner tank
- Clean the ignition electrodes and baffle plate, blow out the nozzle with compressed air and check the spacing between the ignition electrodes
- Clean the burner tank, supply tank and unit tank thoroughly.

22. Circuit diagram

SP\_1-1066.1



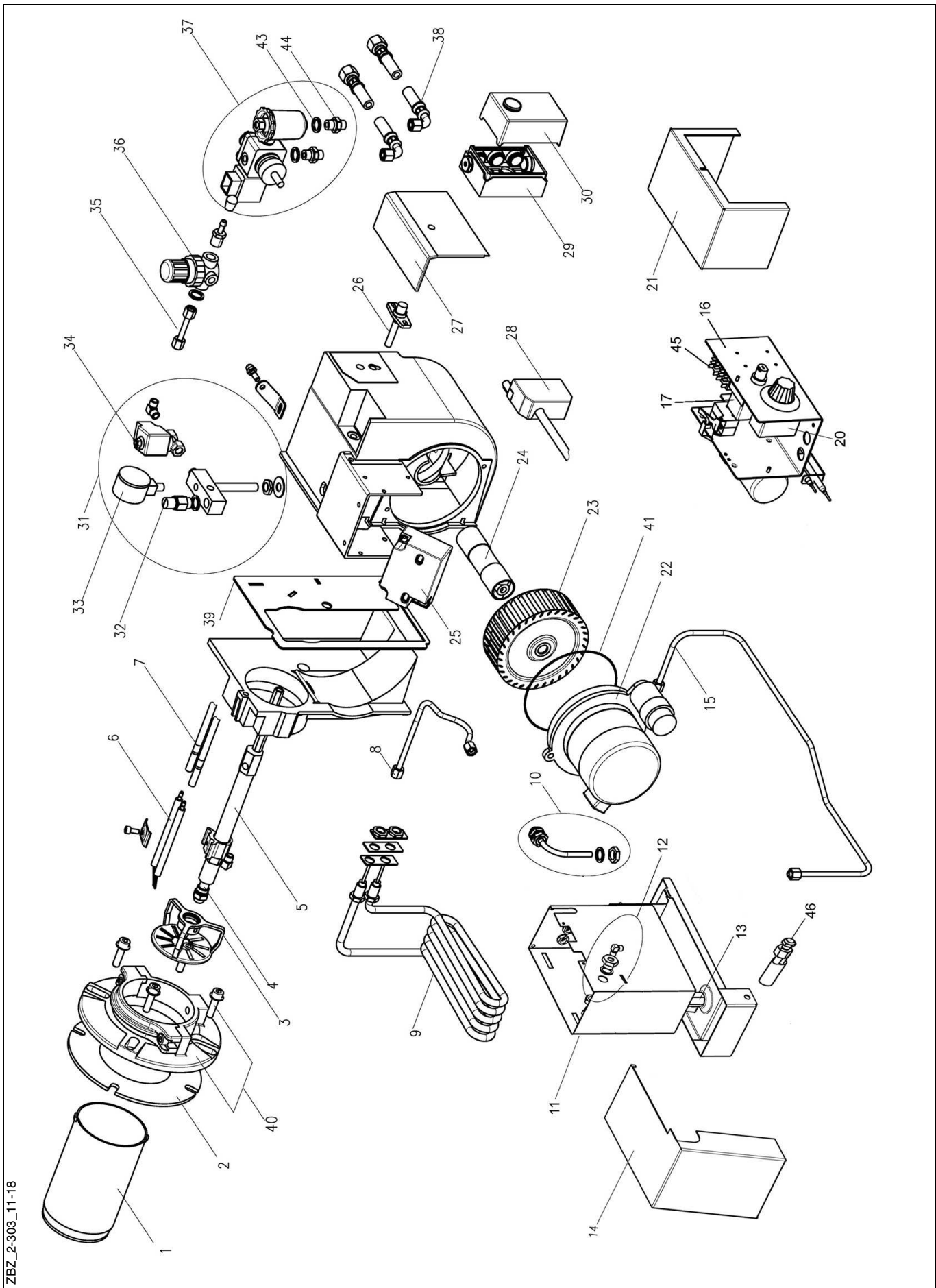
Aderfarben	
Braun	- BN
Blau	- BU
Grau	- GY
Schwarz	- BK
Rot	- RD
Weiss	- WH
Grünelb	- GNYE
Violett	- VT

Legende	
B1	Flammenüberwach.
E9	Vorwärmer
K1.....K10	Funktionrelais
M1	Lüftermotor
P10	Leuchtmelder Störung
P11	Leuchtmelder Betriebsbereit
S1	Steuerung
S10	Hauptschalter
S11	Sicherheitstemperatur begrenzer
S12	Termostat WA
S14	Überlauf Vorwärmer
S15	Schalter Niveau MV Pump
S16	Sicherheits Tem. Begrenzer
S17	Überlauf Wanne
S18	Termostat Vorwärmer
Y6	Ventil Pumpe
Y11	Ventil Luft

## 23. Troubleshooting

Observation	Cause	Remedy
Burner does not start up	<p>Oil not combustible due to sludge and / or water</p> <p>Oil tank empty Oil level in burner tank too high</p> <p>Filter dirty, oil or air lines leaky Faulty feed pump solenoid valve</p> <p>Nozzle dirty or faulty Feed pump blocked No current Motor faulty Thermostat faulty Photocell dirty or not correctly inserted</p> <p>Control unit faulty No ignition</p> <p>No compressed air</p> <p>Solenoid valve faulty Compressor or air line faulty</p>	<p>Open the water drain cock on the burner tank, drain off sludge and water or use a higher-grade heating oil Refill tank with oil</p> <p>Correct the oil level by draining off oil by means of the water cock (readjust the level control float switch, if necessary)</p> <p>Clean the filter, feed pump filter and lines Check the feed pump solenoid valve and replace if necessary</p> <p>Replace nozzle Strip the feed pump and clean the gear Switch on the heater switch</p> <p>Replace Replace</p> <p>Clean the photocell, replace it or connect it properly Replace</p> <p>Adjust the ignition electrode, replace the ignition transformer if necessary and check the ignition cable</p> <p>Connect and/or open the compressed air and set the pressure</p> <p>Replace Replace</p>
Burner starts very late	Heating cartridge and thermocouple in burner tank encrusted or faulty	Clean or replace the heating cartridge and thermocouple in the burner tank
Burner starts without pre-ventilating	Solenoid valve sticking in open position	Replace
No oil feed	Solenoid valve faulty	Replace
Flame is interrupted or extinguishes	<p>Oil not combustible due to sludge and / or water</p> <p>Oil supply used up Clogged nozzle Dirty feed pump filter Oil line to tank frozen Supply tank too far away from burner Filter or oil lines dirty Solenoid valve faulty Too much or not enough compressed air</p> <p>Safety temperature limiter is in the safety position because the heater has overheated Micro-switch in burner tank cuts out</p>	<p>Open the water drain cock on the burner tank, drain off sludge and water or use higher-grade oil Refill tank with oil Replace nozzle Clean feed pump filter Clean oil lines, and insulate tank and oil line Install an additional feed pump Replace filter and clean oil lines Replace</p> <p>Check compressed air and gauge pressure using primary airflow control Troubleshoot the heater and unlock the safety temperature limiter Adjust the level control float</p>
Nozzle and baffle plate are heavily soiled with oil or soot	<p>Incorrect baffle plate setting Combustion airflow rate too high or too low</p> <p>Boiler room is not sufficiently ventilated</p>	<p>Correct the baffle plate setting dimensions Set the primary airflow rate Set the secondary airflow rate at the air control flap Pay attention to sufficiently large ventilation ports</p>

## 24. Exploded view drawing / spare parts list

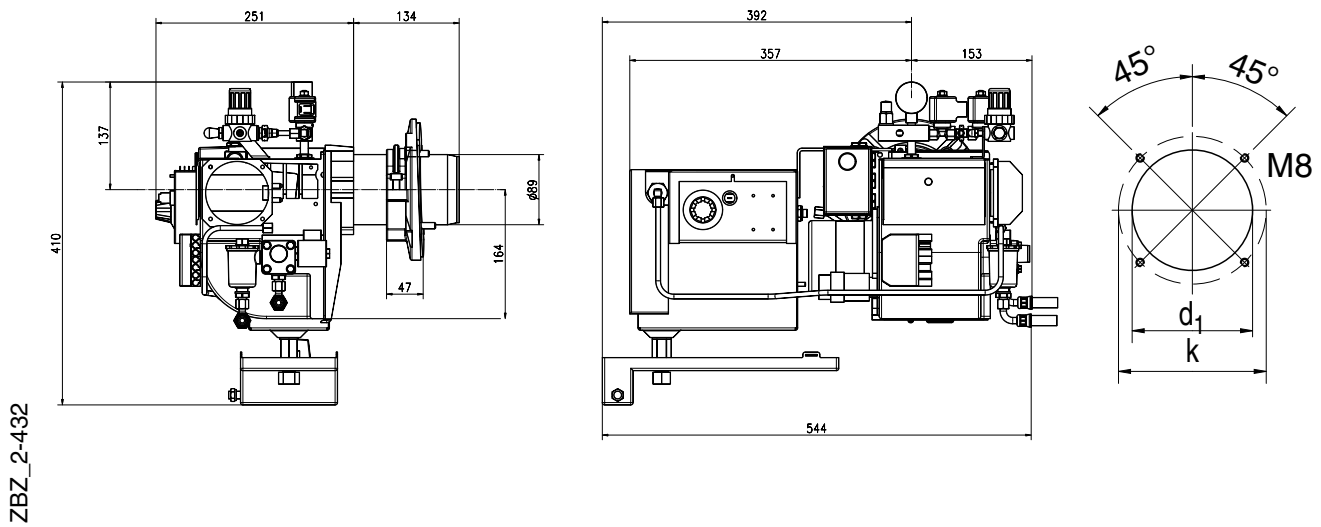


ZBZ\_2-303\_11-18

E:04.2000 • G: 05.12.22

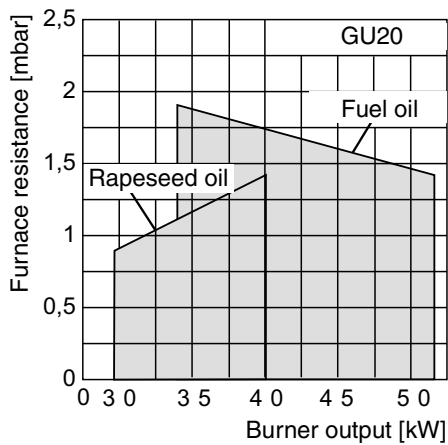
Position	Designation	Pack qty.	Art. No.
1	Burner pipe	1	47-90-22291
2	Mounting flange seal	5	47-50-26127
3	Diaphragm plate compl. with holder	1	47-90-22826
4	Delavan SNA nozzle	1	47-90-22804
5	Nozzle assembly compl. with ignition electrodes	1	47-90-22357
6	Ignition electrode	2	47-50-22381
7	Ignition cable pair	1	47-90-22278
8	Oil tank - nozzle assembly connecting tube	1	47-90-25370
9	Heating coil 1100 W	1	47-90-24505
10	Intake tube compl.	1	47-90-24514
11	Oil tank	1	47-90-29975
12	Mounting device for pump - oil tank connecting tube	1	47-90-27504
13	Drain valve	1	47-90-29964
14	Oil tank cover	1	47-90-29926
15	Pump - oil tank connecting tube	1	47-90-27506
16	Electric box complete preassembled	1	47-90-30070
17	Safety thermostat	1	47-90-29935
20	Flush-type thermostat	1	47-90-29933
21	Cover electric box	1	47-90-29928
22	Motor 90 W	1	47-90-22271
23	Fan wheel 120 x 42	1	47-90-24461
24	Coupling	10	47-90-27505
25	Ignition transformer	1	47-90-24469
26	Flame detector QRB 4	1	47-90-29994
27	Cover plate	1	47-90-22288
28	7-pin socket with cable	1	47-90-22378
29	Control unit bottom AGK 11	1	47-90-11310-01
30	Control unit LMO 14	1	47-90-26320
31	Air distributor, compl. preassembled	1	47-90-22384
32	Safety valve	1	47-90-22344
33	Pressure gauge 0-2.5 bar	1	47-90-12121
34	Solenoid valve coil	1	59-90-50368
35	Air distributor connecting tube	1	47-90-27507
36	Pressure regulator, preassembled	1	47-90-22343
37	Pump SP25L with connections	1	47-90-10513
38	Metal hose, size 6, 1200 mm long	1	47-90-11347
39	Housing seal	5	47-50-22280
40	Mounting flange G20, compl.	1	47-90-27503
41	Motor O-ring	5	47-50-22277
43	Ring seal 13 x 18 x 2	50	37-50-11293
44	Hose nipple R1/4" x 8LL	10	37-50-11348
45	Relais 56.328	1	47-90-27681
46	Float switch RK 1015/1	1	47-90-24506
-	Folding float switch with mechanical joint, M16x2	2	47-90-21063
-	Motor cable	1	37-90-11812

## 25. Burner dimensions / boiler connection dimensions



Burner type	d1	k
GU20	90	125 - 160

## 26. Working range



All information in this technical documentation as well as the drawings, photos and technical descriptions placed at your disposal remain our property and may not be duplicated without our written permission given in advance.  
Subject to change.

# GIERSCH

Enertech GmbH • Brenner und Heizsysteme  
Adjutantenkamp 18 • D-58675 Hemer • Telephone 02372/965-0 • Telefax 02372/61240  
Email: info@giersch.de • Internet: <http://www.giersch.de>