

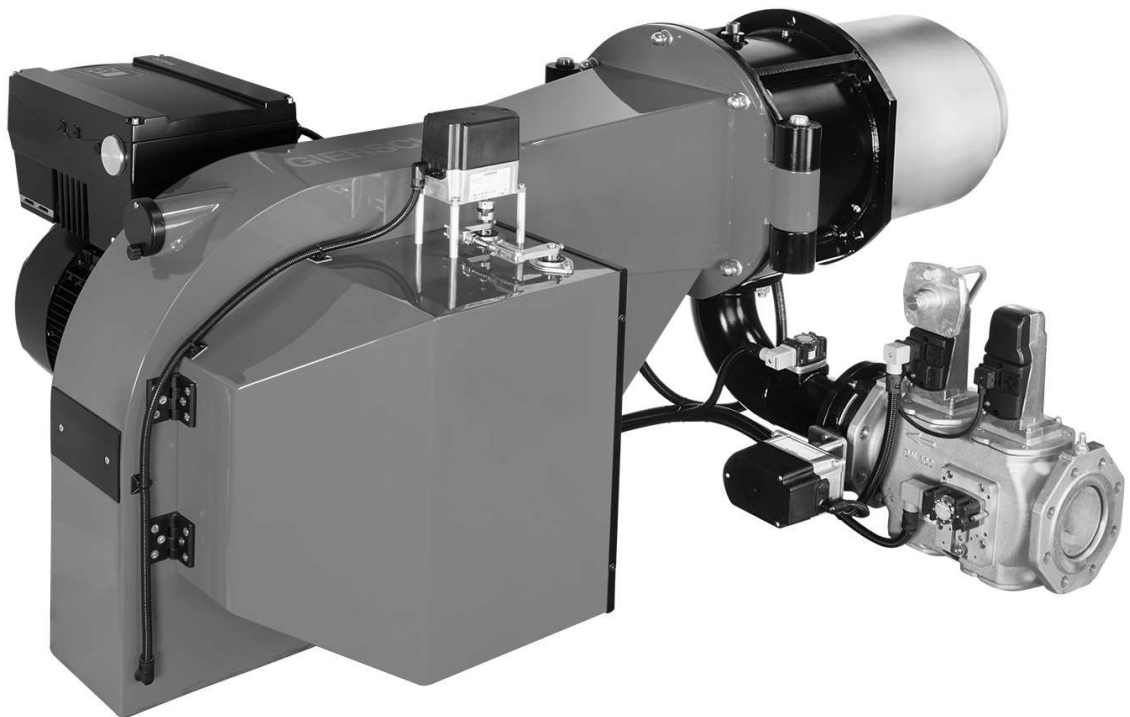
## Technical Information

# MG40-LN

November 2022 edition

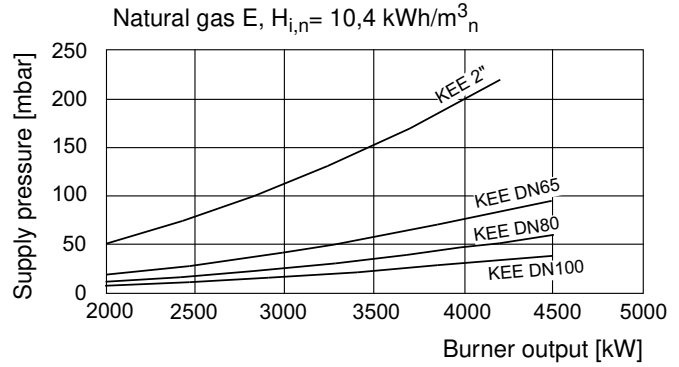
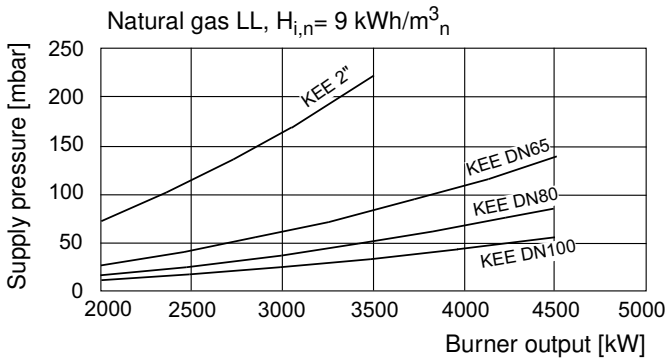
In the interests of continuous product improvement, technical specifications are subject to change without prior notice!

Gas

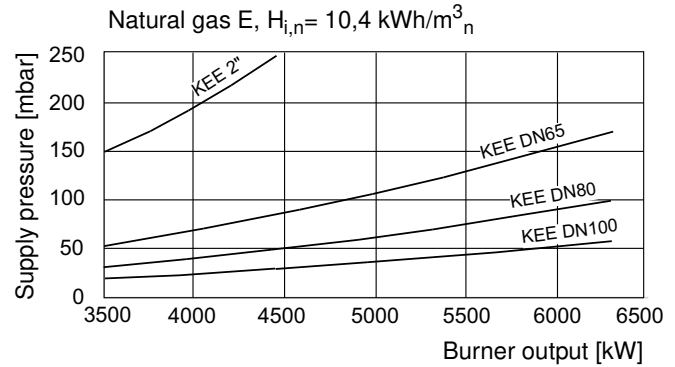
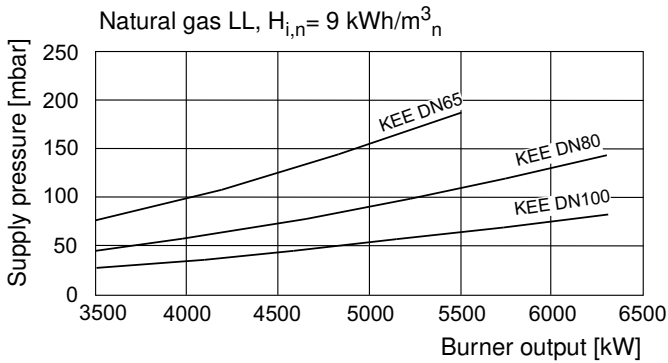


## Selection diagram for gas fitting

MG40/1-LN



MG40/2-LN

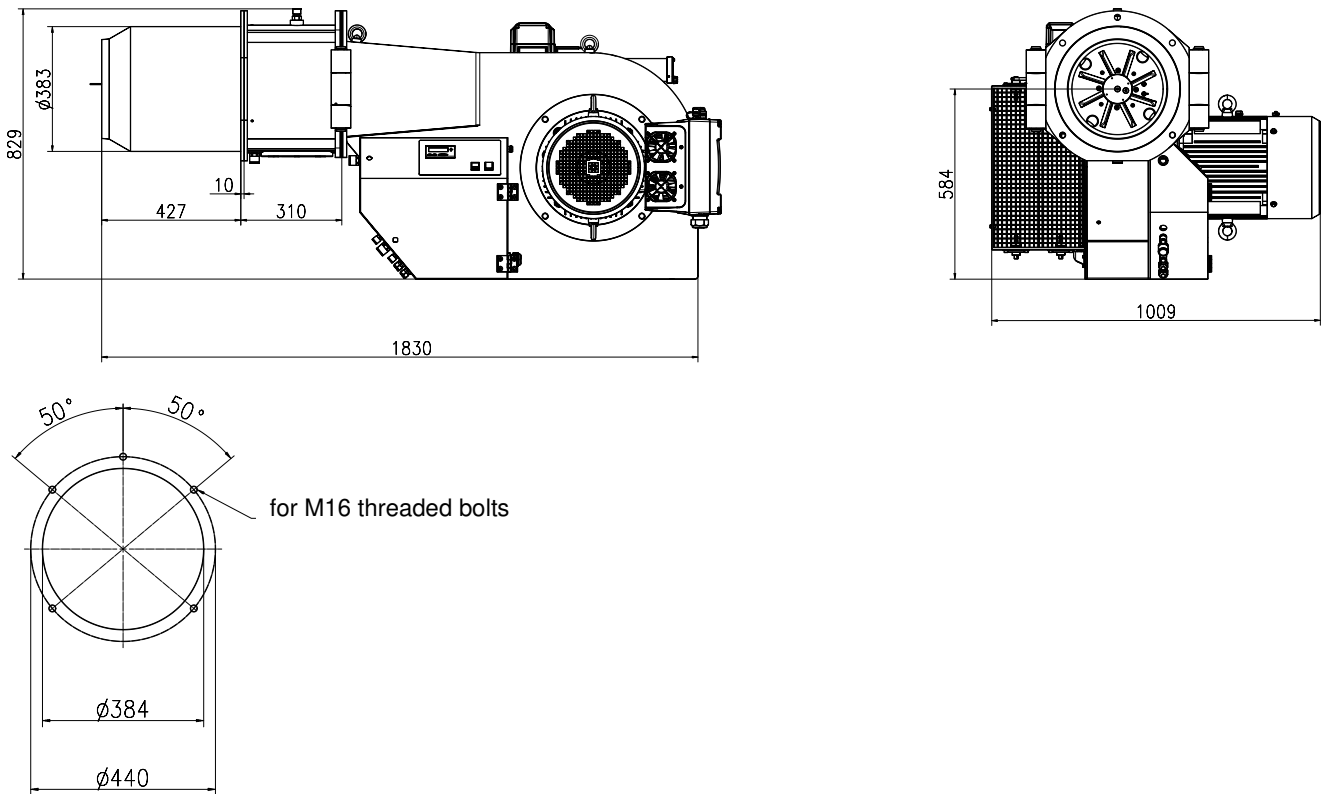


## Technical specifications

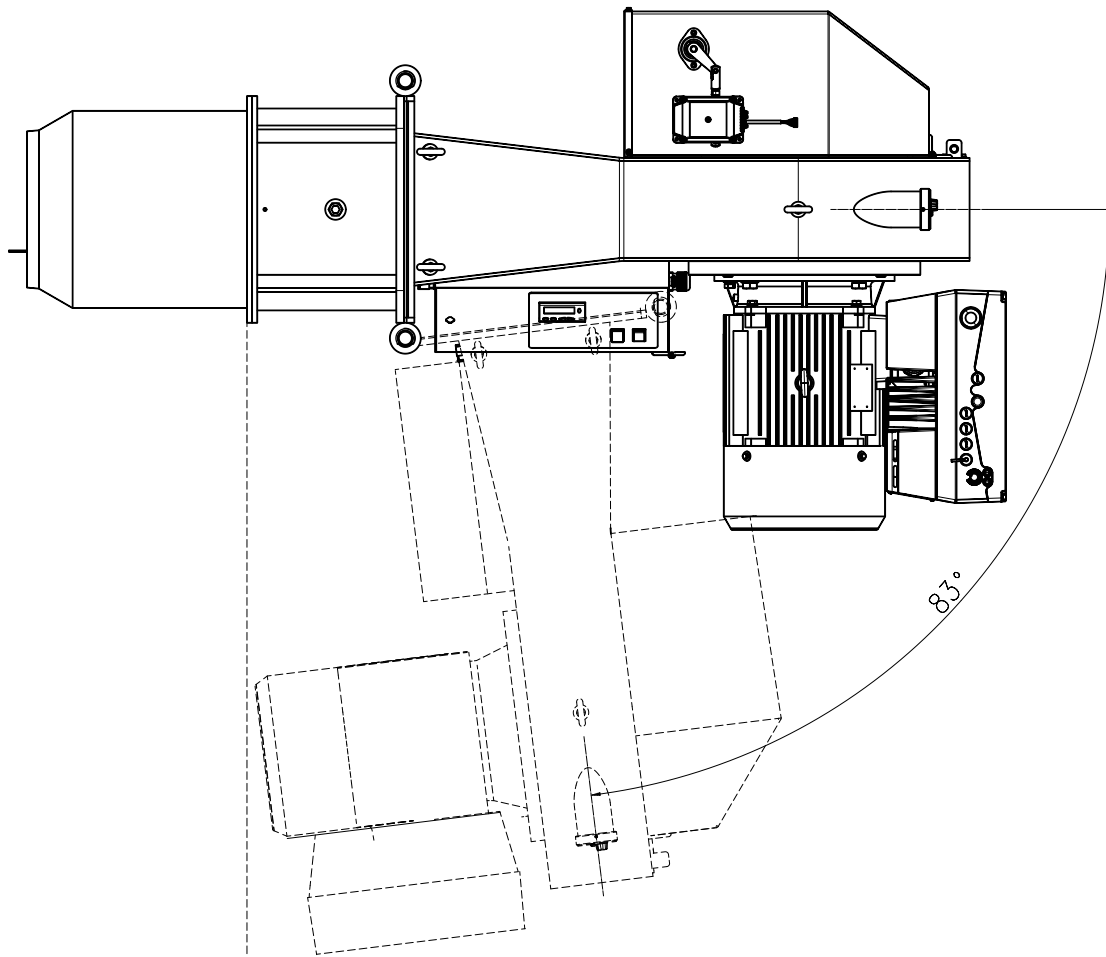
Technical specifications	Burner type	
	MG40/1-LN	MG40/2-LN
Burner output in kW	484 - 4500	611 - 6300
Gas type	Natural gas LL + E = „-N“	
Perm. operating pressure	200 - 700 mbar	
Mode of operation	2-stage/modulating	
Voltage	3 / N / PE ~ 50 Hz 400 V / 230 V	
Fuse	400 V = 32 A	
Current consumption during operation in A	20	27
Electric motor (at 3000rpm) in kW	11	15
Flame control	Ionisation	
Burner management system	LMV27	
Weight in kg	346	
Noise emission in db(A)	86	87
Degree of protection	IP40	
Emission class	3	
NOx limit	$\leq 80 \text{ mg/kWh}$	

## Dimensions / boiler connection

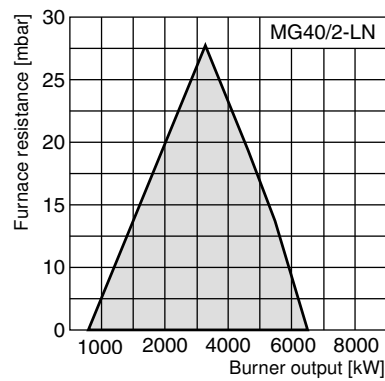
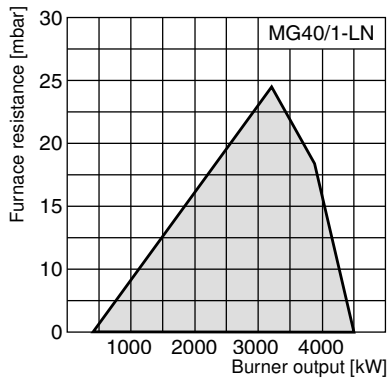
All dimensions are given in mm



## Swivel position / service position



## Working ranges



Working ranges according to DIN EN 676 2008-11. The working ranges are referred to 15°C and 1013 mbar.

All information in this technical documentation as well as the drawings, photos and technical descriptions placed at your disposal remain our property and may not be duplicated without our written permission given in advance. Subject to alterations.

# GIERSCH

Enertech GmbH • Brenner und Heizsysteme  
Postfach 3063 • D-58662 Hemer • Telefon 02372/965-0 • Telefax 02372/61240  
E-Mail: [info@giersch.de](mailto:info@giersch.de) • Internet: <http://www.giersch.de>

