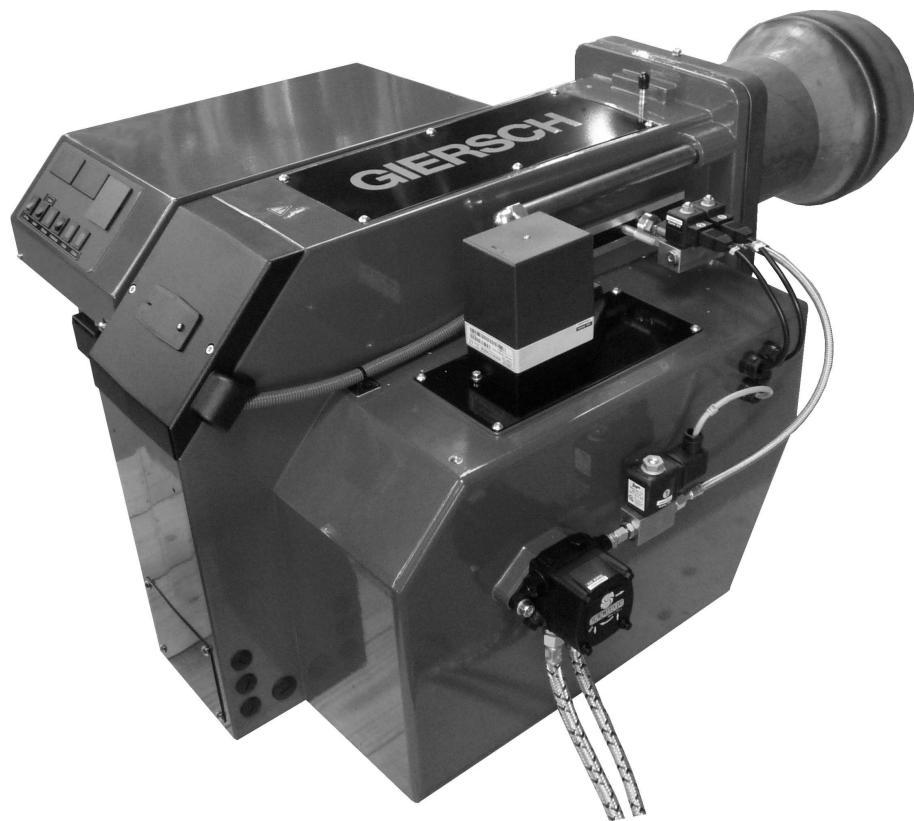


Technical Information • Data Sheet

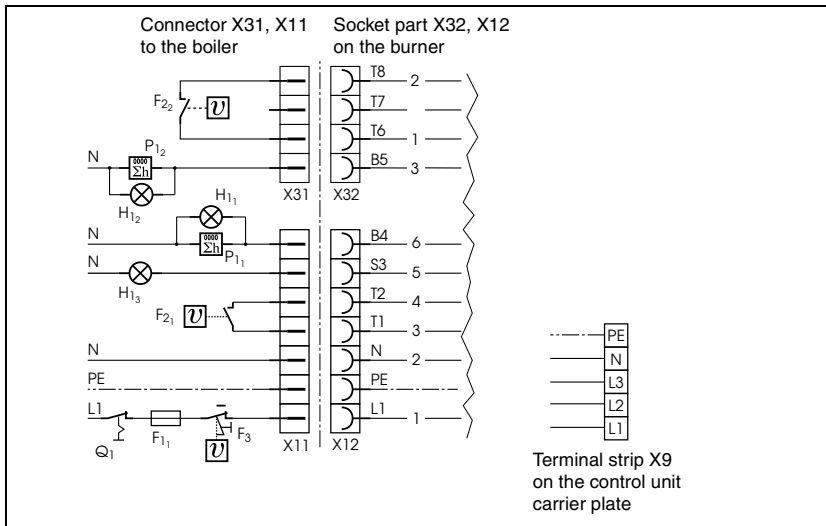
M3

Edition August 2022
Technical changes in the sense of
product improvement reserved!

Oil

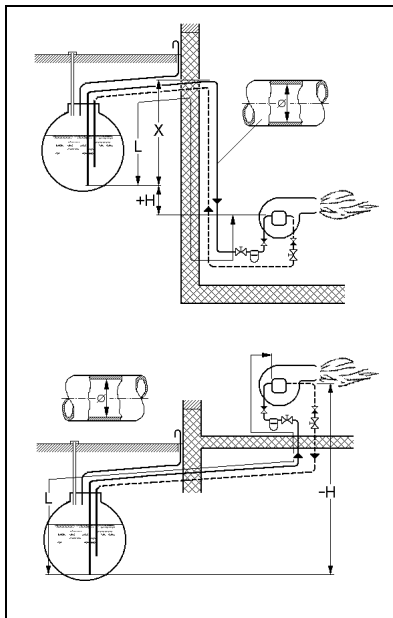


Electrical connection



- F11 Fuse
- F21, F22 Temp. controller 1st stage/
2nd stage
- F3 Safety temperature limiter
- Q1 Main heating switch
- H11, H12 Ext. operating lamp
1st/2nd stage
- H13 Ext. fault message lamp
- L1, L2, L3 Phase
- PE Protective conductor
- P11, P12 Time meter
- X9 Terminal strip
- X11, X31 Male connector, boiler
control
- X12, X32 Female connector, burner

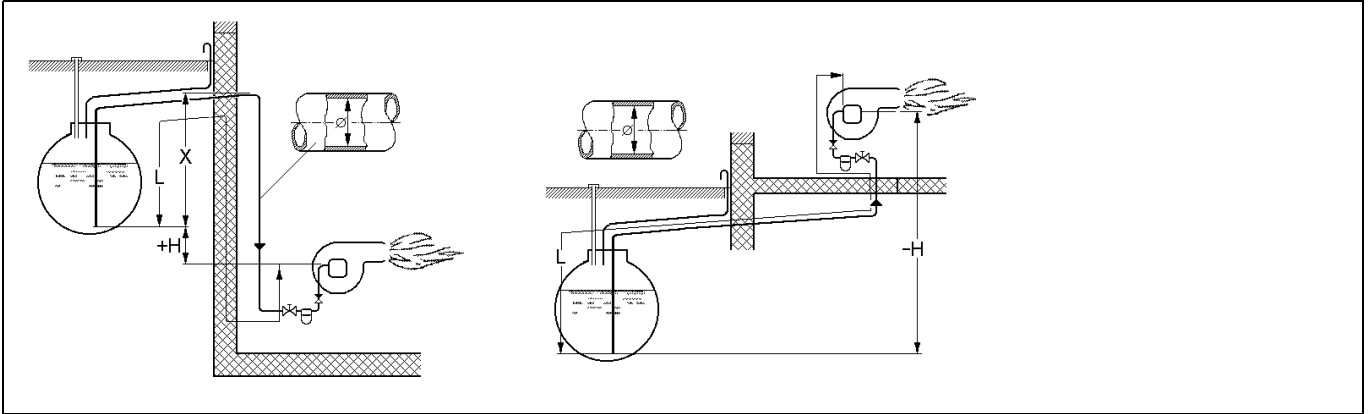
Oil connection



Two-pipe system

H (m)	Suntec AJ4				Suntec AJ6/J6				Suntec J7				
	L (m)				L (m)				L (m)				
Ø mm	10	12	14	16	10	12	14	16	10	12	14	16	20
4.0	23	49	51	100	13	28	54	93	7	17	34	60	-
3.0	20	43	80	100	11	25	47	82	6	15	29	52	-
2.0	17	37	69	100	9	21	40	70	5	12	25	45	-
1.0	14	31	58	100	8	17	34	59	3	10	21	37	-
0.5	13	28	53	91	7	16	30	53	3	9	19	34	-
0	13	25	47	81	6	14	27	48	2	8	16	30	77
-0.5	10	22	42	72	5	12	24	42	-	6	14	26	67
-1.0	9	19	36	62	4	10	20	36	-	5	12	22	58
-2.0	6	13	25	43	2	7	14	25	-	3	8	15	40
-3.0	3	7	14	24	0	3	7	13	-	-	3	7	22
-4.0	-	-	-	5	-	-	-	-	-	-	-	-	4

Single pipe system



Nozzle ∅ mm	14 (gph)			20 (gph)				30 (gph)				45 (gph)			
	8	10	12	8	10	12	14	10	12	14	16	10	12	14	16
H (m)	L (m)	L (m)	L (m)	L (m)	L (m)	L (m)	L (m)	L (m)	L (m)	L (m)	L (m)	L (m)	L (m)	L (m)	L (m)
4.0	21	52	100	14	36	75	100	23	49	92	-	15	32	61	100
3.0	18	45	95	12	31	66	100	20	43	81	-	13	28	53	92
2.0	16	39	82	11	27	57	100	17	37	70	-	11	24	46	79
1.0	13	33	69	9	23	48	89	15	31	59	-	9	20	38	66
0.5	12	30	62	8	20	43	81	13	28	53	-	8	18	35	60
0	11	27	56	7	18	39	72	12	25	48	82	7	16	31	54
-0.5	9	23	49	6	16	34	64	10	22	42	72	-	14	27	47
-1.0	8	20	43	5	14	30	55	9	19	36	63	-	12	23	41
-2.0	5	14	30	3	10	21	39	6	13	25	44	-	8	16	28
-3.0	3	8	17	-	5	11	22	3	7	14	25	-	4	8	15
-4.0	-	-	4	-	-	-	5	-	-	-	5	-	-	-	-

Technical specifications

Technical specifications	Burner type		
	M3.12-Z-L	M3.22-Z-L	M3.32-Z-L
Burner output in kW	534 - 1490	848 - 2090	1213 - 2500
Oil throughput in kg/h	45 - 126	71 - 176	102 - 210
Mode of operation	two stage		
Voltage	3 / N / PE ~ 50 Hz 400 V		
max. current consumption	7,5 A	10,5 A	11,5 A
Electric motor power (at 2800rpm) in kW	3,0	4,0	4,4
Flame failure controller	QRB 3		
Control box	LAL 1.25		
Weight in kg	107	110	115
Noise emission in dB (A)	≤ 86	≤ 88	≤ 90
Emission class	2		
NOx Limit value	< 185 mg/kWh		

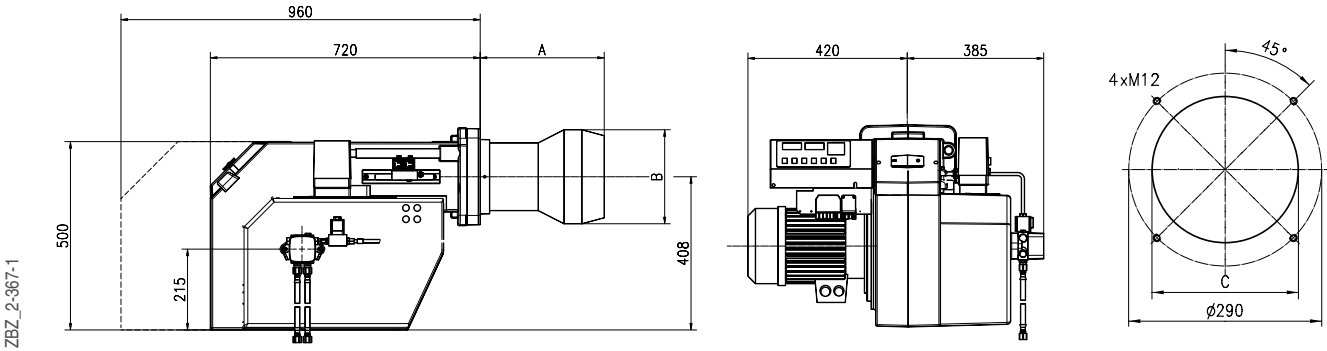
Adjustment table

Burner output [kW]	Output 1st level [kW]	Nozzle 1 60° [USgal/h]	Nozzle 2 60° [USgal/h]	Pump pressure 1st level [bar]	Pump pressure 2nd level [bar]	Oil throughput 1nd level [kg/h]	Oil throughput 2st level [kg/h]	Dimen- sion „A“ [mm]	Cam position SQN [°]		
									[ST1]	[ST2]	[MV2]
M3.12											
910	530	8,00	6,00	20	20	45	77	0	33	75	45
980	660	11,0	5,00	20	20	56	83	35	40	75	55
1130	750	12,0	6,0	20	20	63	95	36	43	90	60
1440	820	13,0	10,0	20	20	69	121	36	48	160	55
M3.22											
1250	850	14,0	7,00	20	20	72	105	20	30	49	34
1420	950	16,0	8,00	20	20	80	120	20	32	60	36
1600	1070	18,0	9,00	20	20	90	135	26	40	70	45
1780	1190	20,0	10,0	20	20	100	150	28	48	83	52
1960	1300	22,0	11,0	20	20	110	165	31	50	100	55
2090	1400	25,0	12,0	20	20	118	176	50	50	118	55
M3.32											
1840	1210	19,5	11,0	20	20	102	155	18	40	70	44
1970	1320	22,0	12,0	20	20	111	166	20	41	77	45
2230	1470	25,0	13,5	20	20	124	188	27	48	85	53
2500	1600	28,0	15,0	21	21	135	211	37	59	110	65

Nozzle recommendation: Danfoss 60°B, Monarch 60°PLP, Steinen 60°SS

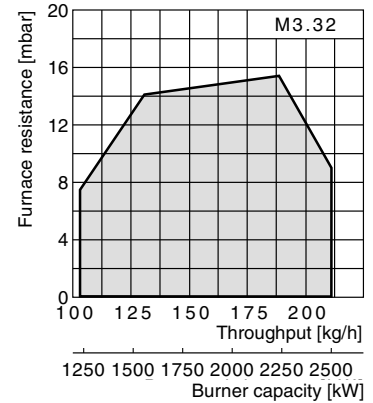
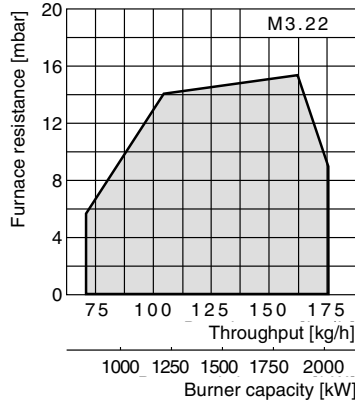
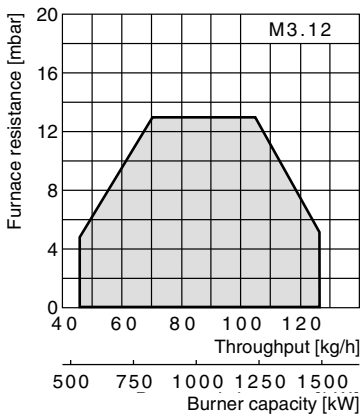
Overall dimensions / Boiler connection measures

(all dimensions are given in mm)



	A	B	C
M3.12	280	205	185
M3.22	330	250	205
M3.32	340	280	205

Working ranges



Working ranges acc. to DIN EN 267.

The working ranges are relative to a height of approx. 200 m above sea level and a room temperature of 20°C.

All information in this technical documentation as well as the drawings, photos and technical descriptions placed at your disposal remain our property and may not be duplicated without our written permission given in advance.
Right reserved to effect modifications.

GIERSCH

Enertech GmbH • Brenner und Heizsysteme
Postfach 3063 • D-58662 Hemer • Telefon 02372/965-0 • Telefax 02372/61240
E-Mail: info@giersch.de • Internet: <http://www.giersch.de>

