

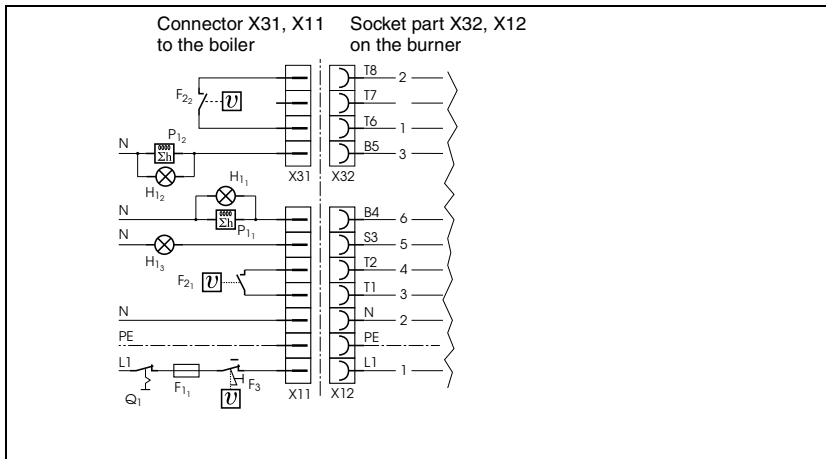
# M10

August 2022 Edition  
Technical changes in the sense of  
product improvement reserved!

oil

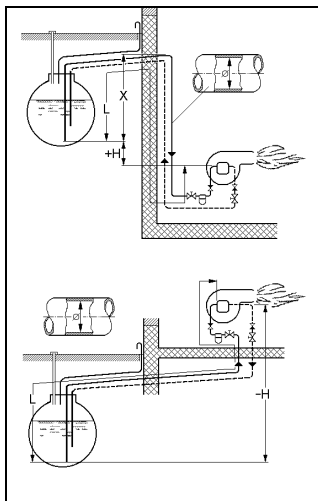


# Electrical connection



- F11 Fuse
- F21,F22 Temp. controller 1st stage/  
2nd stage
- F3 Safety temperature limiter
- Q1 Main heating switch
- H11,H12 Ext. operating lamp  
1st/2nd stage
- H13 Ext. fault message lamp
- L1,L2,L3 Phase
- PE Protective conductor
- P11,P12 Time meter
- X9 Terminal strip
- X11, X31 Male connector, boiler control
- X12, X32 Female connector, burner

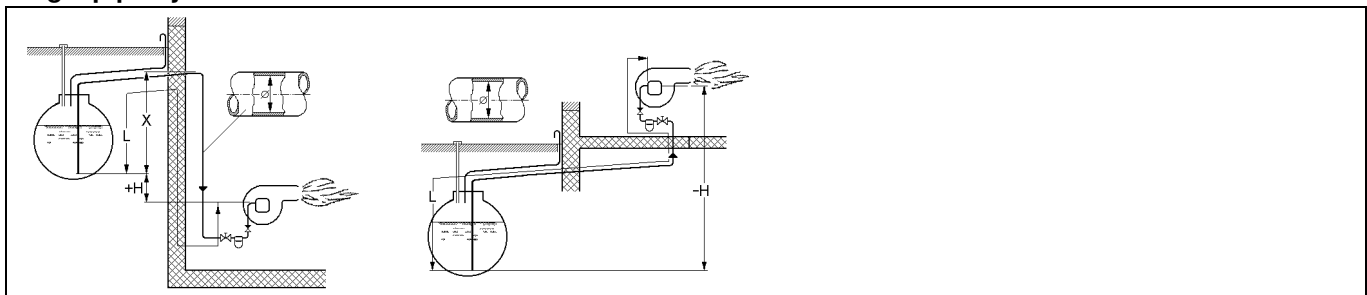
# Oil connection



## Two-pipe system

H (m)	Danfoss BFP 52			Suntec AT2 55			Suntec AP2		
	L (m)			L (m)			L (m)		
	Ø 6 mm	Ø 8 mm	Ø 10 mm	Ø 6 mm	Ø 8 mm	Ø 10 mm	Ø 6 mm	Ø 8 mm	Ø 10 mm
4.0	21	67	100	22	75	150	22	75	150
3.0	19	59	100	19	66	150	19	66	150
2.0	16	51	100	16	56	141	16	56	141
1.0	13	42	100	13	47	118	13	47	118
0.5	12	38	94	12	42	107	12	42	107
0	11	34	84	11	38	96	11	38	96
-0.5	10	30	74	9	33	84	9	33	84
-1.0	8	26	64	8	29	73	8	29	73
-2.0	6	18	44	5	19	51	5	19	51
-3.0	3	10	24	2	10	28	2	10	28
-4.0	1	2	4	0	0	5	0	0	5

## Single pipe system



Nozzle Ø	Danfoss BFP 52					Suntec AT2 55						Suntec AP2								
	10 kg/h		20 kg/h			12 kg/h		19 kg/h		30 kg/h		12 kg/h		19 kg/h		30 kg/h				
H (m)	Ø5mm L (m)	Ø6mm L (m)	Ø6mm L (m)	Ø8mm L (m)	Ø10mm L (m)	Ø4mm L (m)	Ø6mm L (m)	Ø6mm L (m)	Ø8mm L (m)	Ø6mm L (m)	Ø8mm L (m)	Ø10mm L (m)	Ø4mm L (m)	Ø6mm L (m)	Ø6mm L (m)	Ø8mm L (m)	Ø8mm L (m)	Ø6mm L (m)	Ø8mm L (m)	Ø10mm L (m)
4.0	65	100	3	99	100	21	109	72	150	45	144	150	21	109	72	150	45	144	150	
3.0	49	100	23	74	100	18	96	63	150	39	127	150	18	96	63	150	39	127	150	
2.0	32	100	16	49	100	16	82	55	150	34	109	150	16	82	55	150	34	109	150	
1.0	16	51	8	25	60	13	69	46	146	28	92	150	13	69	46	146	28	92	150	
0.5	8	26	4	12	30	12	63	41	133	26	83	150	12	63	41	133	26	83	150	
0	32	66	33	100	100	11	56	37	119	23	74	150	11	56	37	119	23	74	150	
-0.5	28	58	29	93	100	9	50	33	105	20	66	150	9	50	33	105	20	66	150	
-1.0	24	50	25	80	100	8	43	28	91	17	57	141	8	43	28	91	17	57	141	
-2.0	17	34	18	56	100	6	30	20	64	12	40	98	6	30	20	64	12	40	98	
-3.0	9	19	10	31	75	3	17	11	36	6	22	56	3	17	11	36	6	22	56	
-4.0	1	3	2	6	15	0	4	2	9	0	5	13	0	4	2	9	0	5	13	

## Technical specifications

Technical specifications	Burner type		
	M10-AE-WLE	M10-Z-L-WLE	M10.2-Z-L-WLE
Burner output in kW	120 - 355	125 - 490	255 - 566
Fuel oil	EL, DIN 51603		
Method of operation	With start-up load reduction	2 Stage	
Voltage	1 / N / PE ~ 50 Hz / 230 V		
current consumption	4 A max. / 2 A eff.		6,5 A max. / 3,5 A eff.
Electric motor power (at 2800rpm) in kW	0.370		0.750
Oil pump (type)	Danfoss BFP 52 / Suntec AT2 55 / Suntec AP 2		
Flame failure controller	QRB4		
Control box	LMO24		
Weight in kg	25	26	27
Noise emission in dB (A)	≤ 71		≤ 75
Emission class	2		
NOx Limit value	< 185 mg/kWh		

## Adjustment table

M10-AE-WLE						
Burner capacity [kW]	Nozzle (Danfoss)		Oil pump pressure [bar]	Oil throughput [kg/h]	Measure "A" [mm]	Air damper [°]
	Size [gph]	Type				
165	3,00	60° S	16	13,9	12	14
180	3.50	60° S	16	15.3	13	17
200	4.00	60° S	16	16.8	16	19
225	4.50	60° S	16	19	18	25
255	5.00	60° S	16	21.6	20	29
285	5.50	60° S	16	24.1	25	32
320	6.00	60° S	16	27	30	36

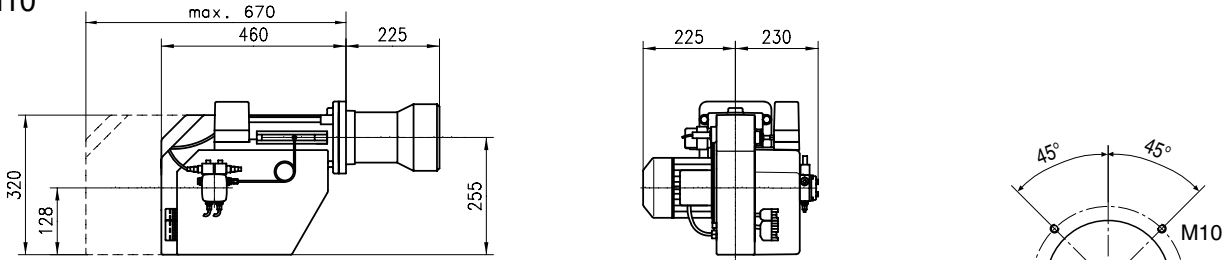
M10-Z-L-WLE										
Burner capacity		Nozzle (Danfoss)		Oil pump pressure		Oil throughput		Measure "A" [mm]	Air damper	
Level 2 [kW]	Level 1 [kW]	Size [gph]	Type	Level 1 [bar]	Level 2 [bar]	Level 1 [kg/h]	Level 2 [kg/h]		Level 1 (orange) [°]	Level 2 (red) [°]
205	145	3.50	60° S	10	20	12.2	17.3	12	10	24
225	165	4.00	60° S	10	20	13.9	19	15	10	25
250	185	4.50	60° S	10	20	15.6	21.1	15	12	35
280	205	5.00	60° S	10	20	17.4	23.7	18	15	40
330	235	5.50	60° S	10	20	19.8	28.2	20	18	50
400	270	6.00	60° S	10	20	23.1	33.8	22	21	70
430	310	7,00	60° S	10	18	26,2	36,3	35	29	88

M10.2-Z-L-WLE										
Burner capacity		Nozzle (Steinen)		Oil pump pressure		Oil throughput		Measure "A" [mm]	Air damper	
Level 2 [kW]	Level 1 [kW]	Size [gph]	Type	Level 1 [bar]	Level 2 [bar]	Level 1 [kg/h]	Level 2 [kg/h]		Level 1 (orange) [°]	Level 2 (red) [°]
349	255	5.50	60°SS	10	20	21.5	29.4	17	20	35
400	287	6.00	60°SS	10	20	24.2	33.7	19	23	49
423	299	6.50	60°SS	10	20	25.2	35.7	22	22	50
431	307	7.00	60°SS	10	20	25.9	36.3	23	23	50
548	366	8.00	60°SS	10	21	30.9	46.2	30	30	90
566	395	9.00	60°SS	10	22	33.8	48.4	40	35	90

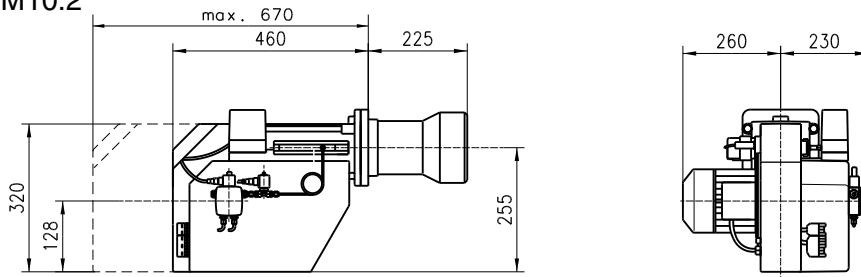
# Overall dimensions / Boiler connection measures

(all dimensions are given in mm)

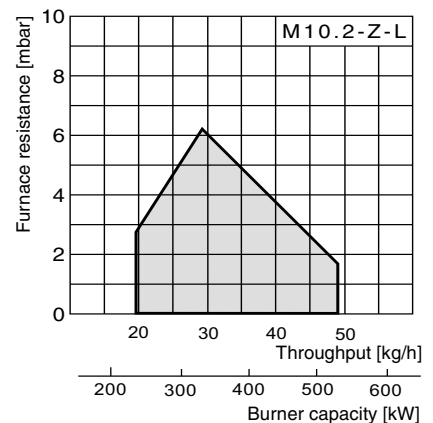
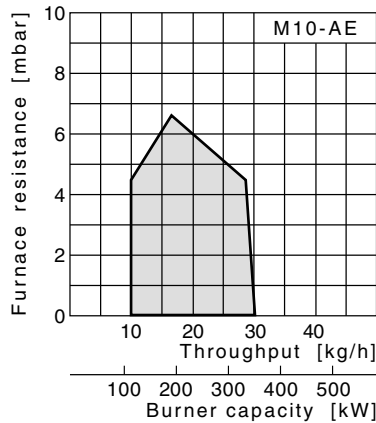
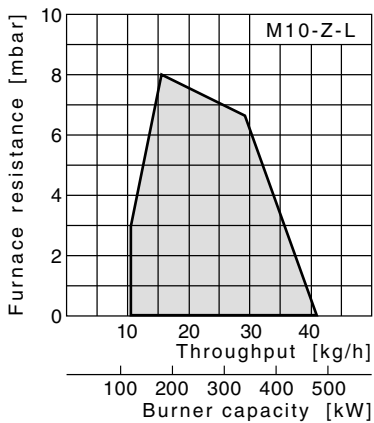
## M10



## M10.2



## Working ranges



Working ranges acc. to DIN EN 267.

The working ranges are relative to a height of approx. 200 m above sea level and a room temperature of 20°C.

All information in this technical documentation as well as the drawings, photos and technical descriptions placed at your disposal remain our property and may not be duplicated without our written permission given in advance.  
Right reserved to effect modifications.

# GIERSCH

Enertech GmbH • Brenner und Heizsysteme  
Postfach 3063 • D-58662 Hemer • Telefon 02372/965-0 • Telefax 02372/61240  
E-Mail: info@giersch.de • Internet: <http://www.giersch.de>

