


Technical information - data sheet

GNTS 21 / 31

Low-temperature boiler

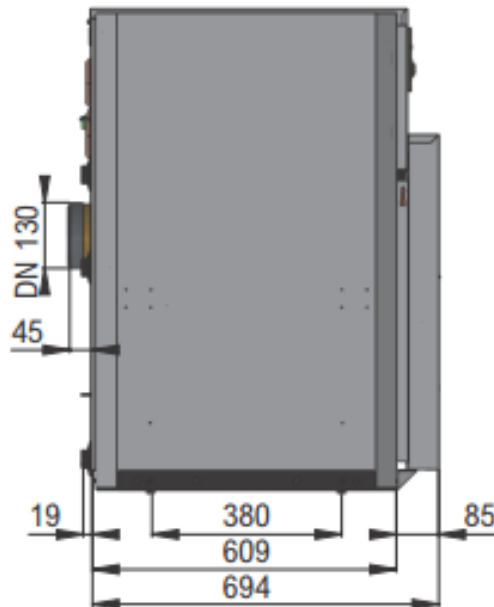
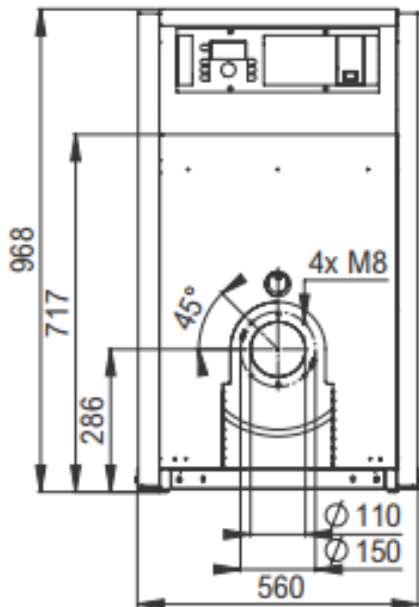
November 2022
May be subject to technical changes
for product improvement!

 Product ID No. CE
2456 CI 101

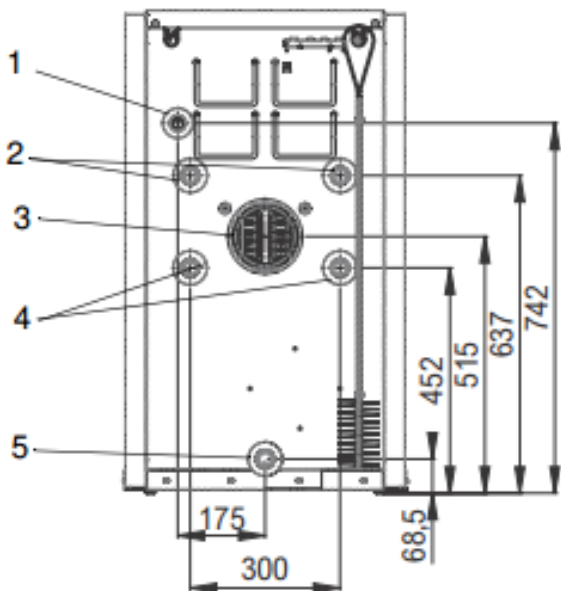
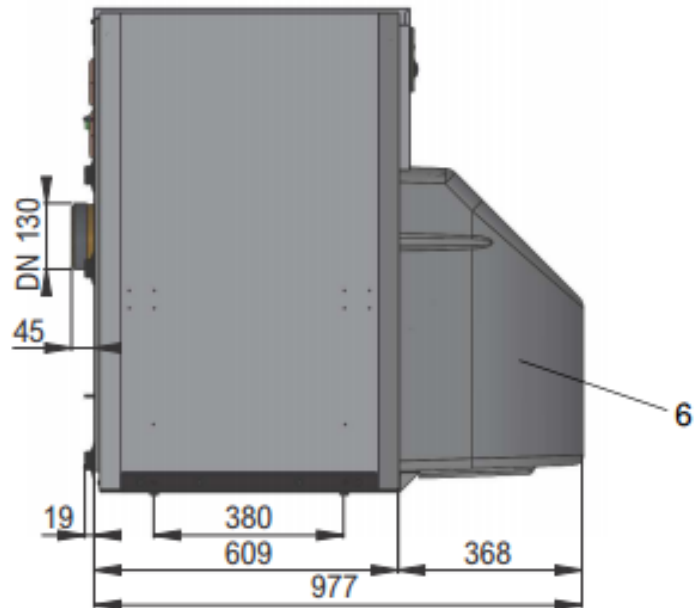
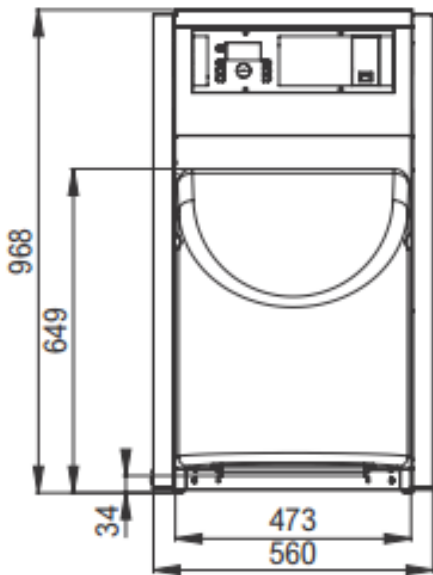


Dimensions GNTS 21

Dimensions with door insulation cover



Dimensions with burner cover

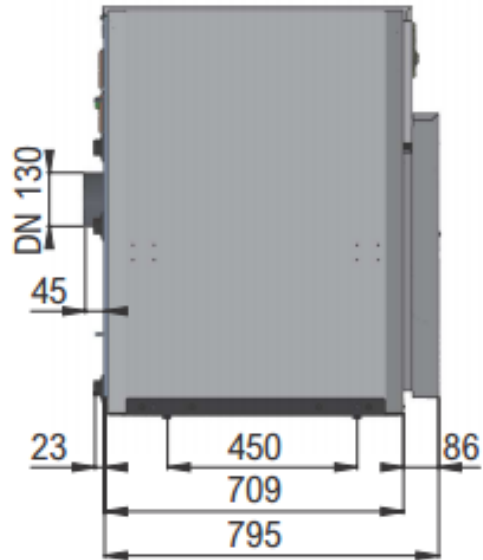
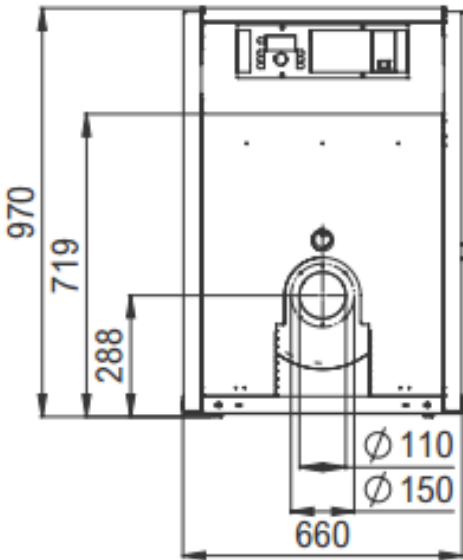


Connections

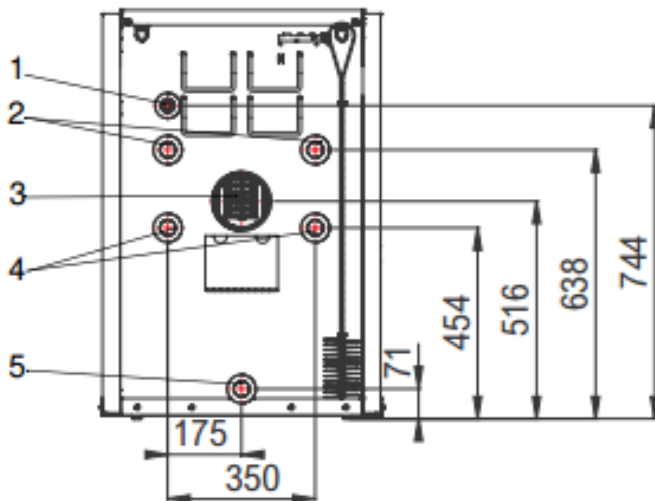
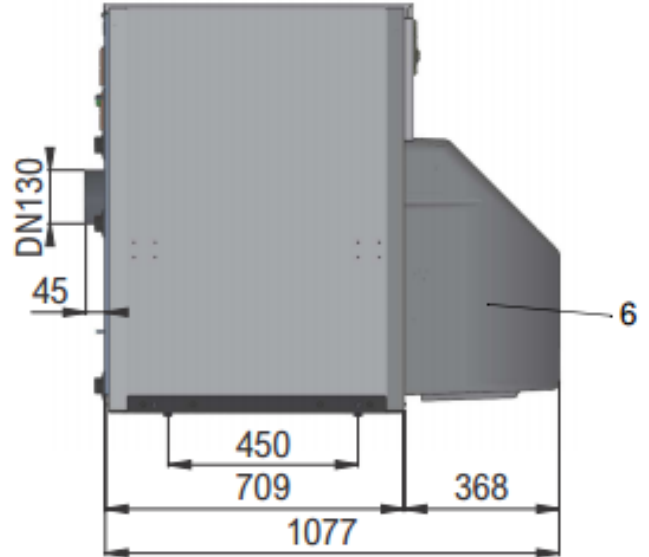
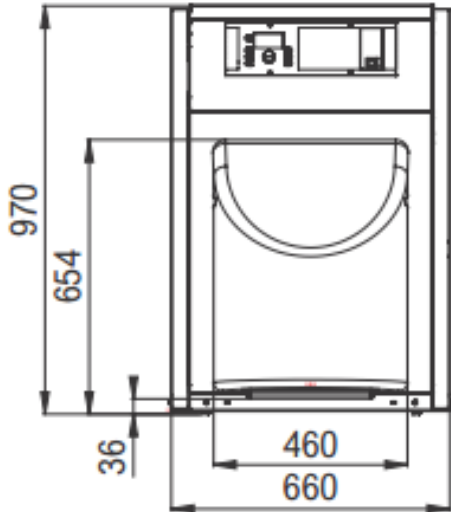
- 1 Air vent connection G 3/4
- 2 Heating flow G 1
- 3 Flue gas connection NW 130
- 4 Heating return G 1
- 5 Emptying G 1
- 6 Accessories

Dimensions GNTS 31

Dimensions with door insulation cover



Dimensions with burner cover



Connections

- 1 Air vent connection G 3/4
- 2 Heating flow G 1
- 3 Flue gas connection NW 130
- 4 Heating return G 1
- 5 Emptying G 1
- 6 Accessories

Technical data

GNTS		21	31
Product ID no.		CE 2456 CI 101	
Nominal heat load	kW	23	32,7
Nominal heat output	kW	21	31
Standard utilisation factor (DIN 4702-8)	%	86	
Exhaust gas loss	%	5	
Loss of heat readiness	%	0,5	0,45
Resistance water-pipes at $\Delta T= 20$ K	mbar	9	10
Boiler water content	l	92	130
Combustion chamber volume	l	40	46
Firebox diameter	mm	320	
Firebox length	mm	470	
Resistance on the heating gas side	Pa	19	17
Exhaust gas temperature	°C	142	140
CO ₂ content of the exhaust gases	Vol %	12,5	
Exhaust gas mass flow	g/s	9,5	14
Required supply pressure	Pa	5	
Range of the boiler temperature (controller)	°C	38 - 75 (85)	
STB switch-off temperature	°C	110	
Min. boiler temperature	°C	38	
Max. boiler operating pressure	cash	3	
Electrical connection	V/Hz	230/50	
Protection by back-up fuse	A	10	
Protection class	IP	40	
Sound power level (in conjunction with burner)	dB	53	54
Flue gas connection	NW	130	
Boiler connections, flow/return/drain	G	1	
Width	mm	560	660
Depth	mm	694	795
Height	mm	967	970
Weight with packaging	kg	140	183
Installation weight (without water content)	kg	120	155

All information specified in this technical document, as well as the drawings, photos and technical descriptions provided by us, remain our property and may not be reproduced without our prior written authorisation.

Subject to change without notice.

G I E R S C H

Giersch GmbH - Burners and heating systems
 Adjutantenkamp 18 - D-58675 Hemer - Phone
 02372/965-0 - Fax 02372/ 61240
 e-mail: info@giersch.de - Internet: <http://www.giersch.de>

